

# **MOTORIZED HOSE REELS S. 530 - 540 - 560 N° 225-MO**



**ADVANCED FLUID  
MANAGEMENT SOLUTIONS**







**ADVANCED FLUID  
MANAGEMENT SOLUTIONS**

*the human side  
of Quality*



**founded in 1975**



# INDEX

## MOTORIZED HOSE REELS

### Page 12

Motorized  
hose reels  
s. 530 in  
painted steel



### Page 13

Motorized  
hose reels  
s. 530 in AISI 304  
stainless steel



### Page 14

Motorized  
hose reels  
s. 540 in  
painted steel



### Page 15

Motorized  
hose reels  
s. 540 in AISI 304  
stainless steel





## ADVANCED FLUID MANAGEMENT SOLUTIONS

### Page 16

Motorized  
hose reels  
s. 560 in  
painted steel



### Page 17

Motorized  
hose reels  
s. 560 in AISI 304  
stainless steel



### Page 18

Motorized  
hose reels  
in AISI 316  
stainless steel



### Page 20

Accessories



The new range of **motorized hose reels series 530 - 540 - 560** is suitable to satisfy the different needs of our customers thanks to the several possible configurations according to the following parameters:

- different working pressures from 20 to 600 bar;
- possibility to manage hoses with internal diameters ranging from 1/4" up to 1";
- hose reel material available in painted steel or stainless steel, depending on the working environment and the fluids delivered.

Furthermore, **various versions of motors (12 V, 24 V, 115 V, 230 V and 400 V)** are available in order to easily adapt to the type of installation required, providing a wide and differentiated range of solutions.

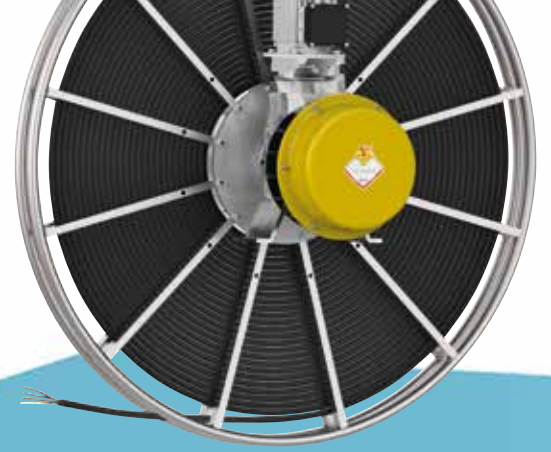
Important accessories such as automatic hose guides and wall fixing brackets complete the offer of this new range of hose reels.

**Our sales department  
is at your disposal to  
provide information and solutions.**

**[www.raasm.com](http://www.raasm.com)**

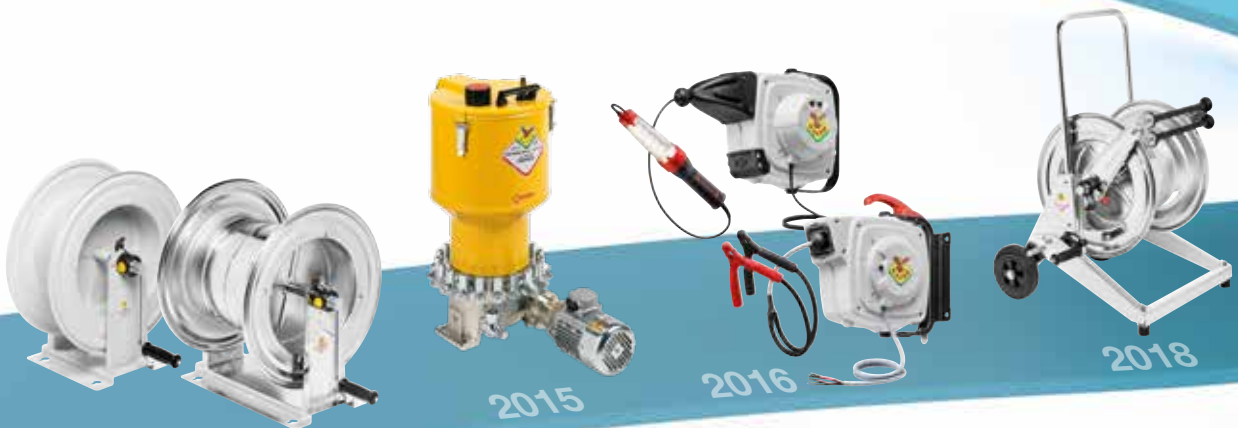


**ADVANCED FLUID  
MANAGEMENT SOLUTIONS**





2020



2014

2015

2016

2018

More than **5000** products available  
for your business



1983

1979

1978

1975



**ADVANCED FLUID  
MANAGEMENT SOLUTIONS**

**VISION**

**DESIGN**

**TECHNOLOGY**

**QUALITY**

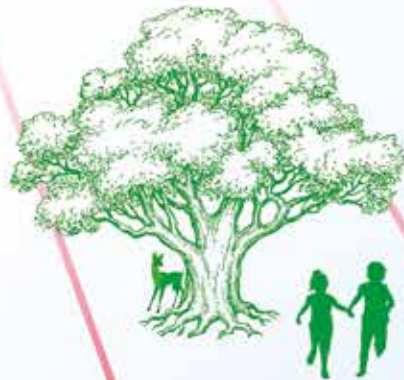
**EFFICIENCY**

**ASSISTANCE**

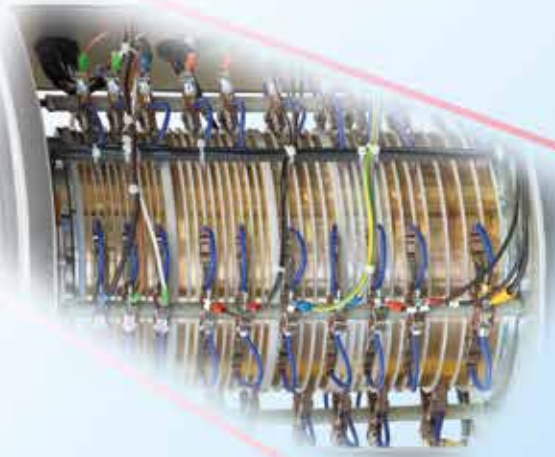
**ENVIRONMENT**

**PACKAGING**

**SHARING**









# MOTORIZED HOSE REELS

The **rewinding speed** is designed to use **the hose reel safely.**

Repeated transmission **stress-tests** guarantee **decades of life and efficiency.**

**Hose stop** available as standard on all models.

All sliding parts, such as the bushings, are **made of special technopolymers tested for long-term use.**

The **hose unwinding** can take place either manually or **with gearmotor** to facilitate and reduce the effort of the users in guiding the hose.

Compatible with many **types of fluids** also very aggressive.



# Technical characteristics

## CENTRAL PIN

Available in different materials to ensure maximum chemical compatibility with a wide range of fluids. 530 series has a flat seat for the nipple connection through o-ring.

## SWIVEL JOINT

Designed to minimise load losses. Available in different materials to ensure maximum chemical compatibility with a wide range of fluids.

## HOSE GUIDE

Designed with a wide width and with a rollers arrangement such as to reduce the wear of the hose.

## MULTI-POSITION ARMS

Hose outlet position can be changed manually by modifying the arms installation.

## FIXING BRACKET

Has 4 slotted holes for safe, easy installation.

## UPPER HANDLE

Designed to facilitate lifting of the hose reel.

## CHAIN TRANSMISSION

Excellent resistance to mechanical stress and compatibility with chemical agents.

## SAFETY PROTECTIONS

All rotating parts such as chains and gears are totally protected in order to minimize access to foreign bodies and make the working environment safer.

## REVERSIBLE GEARBOX

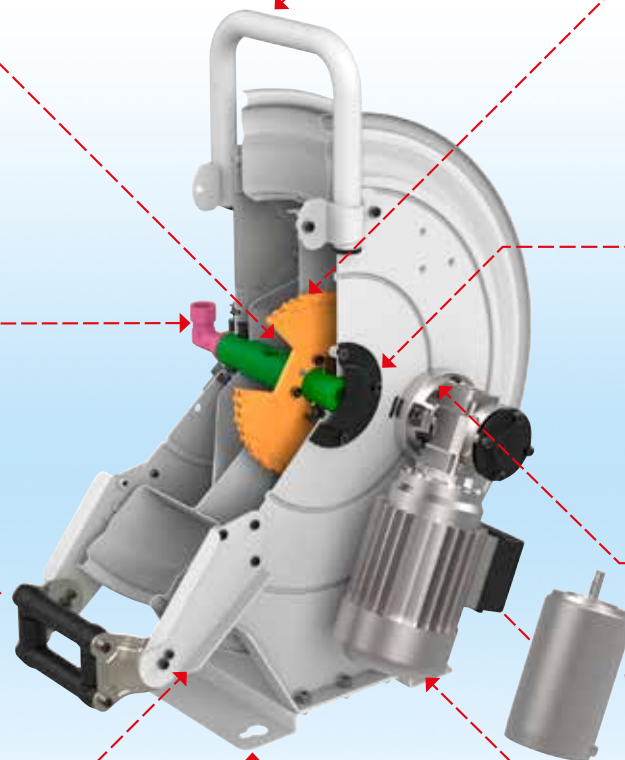
It allows the manual unwinding of the hose by reducing the frictions to minimum. The reduction ratio has been calibrated to keep the rewind speed < 1 m/s.

## ELECTRIC MOTOR

- 12 V DC
- 24 V DC

## ELECTRIC MOTOR

- 230 V AC
- single phase 50 Hz
- 230/400V AC
- three phase 50 Hz
- 115 V AC 60 Hz (optional)



The AC versions are supplied with IP55 degree while the DC versions with IP44 (IP66 upon request).

Available with the following materials:

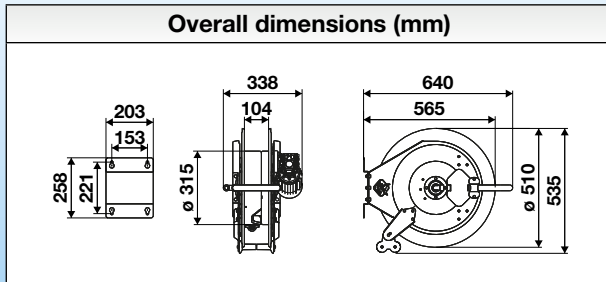
- in aluminum for all hose reels in painted steel;
- with marine paint for all stainless steel hose reels;
- in stainless steel (upon request).

ATEX certification is available upon request for the AC versions.



# MOTORIZED HOSE REELS S. 530 in **PAINTED** steel

Hose reel capacity without hose (m)					
Series 530	outlet 1/2"			outlet 1"	
	1/4"	3/8"	1/2"	3/4"	1"
inner hose $\phi$	1/4"	3/8"	1/2"	3/4"	1"
external hose $\phi$ (mm)	14,5	18,5	22	27,5	35,5
12 V DC - 24 V DC	50	35	25	15	8
230 V AC - 230/400 V AC					



**Packaging (mm) W x D x H**

710 x 430 x 710

W: width  
D: depth  
H: height

**Drum colors**

RAL 7035	■
RAL 1004	■
RAL 3020	■
RAL 5002	■
RAL 9005	■

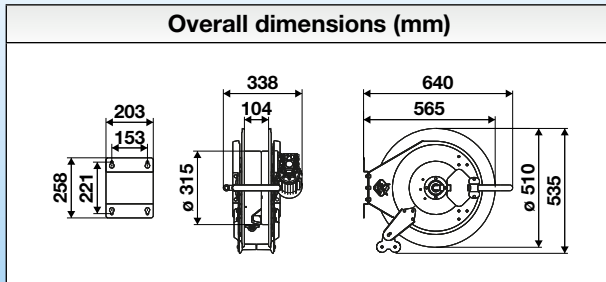


	Motor				Swivel joint	Connection		Weight DC	Weight AC
	12 V DC	24 V DC	230 V AC	230/400 V AC		Inlet	Outlet		
<b>Air-Water 20 bar</b> - Viton® seals	853012.100	853024.100	853023.100	853040.100	brass	G 1/2" (f)	G 1/2" (f)	22,5 kg	24,3 kg
	853012.150	853024.150	853023.150	853040.150		G 1" (f)	G 1" (f)	23,5 kg	25,3 kg
<b>Hot water 100 bar</b> - Viton® seals	853012.250	853024.250	853023.250	853040.250	AISI 304	G 1" (f)	G 1" (f)	23,5 kg	25,3 kg
	853012.200	853024.200	853023.200	853040.200	AISI 304	G 1/2" (f)	G 1/2" (f)	22,5 kg	24,3 kg
<b>Hot water 200 bar</b> - Viton® seals	853012.300	853024.300	853023.300	853040.300	AISI 304	G 3/8" (f)	G 1/2" (f)	22,5 kg	24,3 kg
<b>Hot water 400 bar</b> - Viton® and Teflon® seals	853012.350	853024.350	853023.350	853040.350	AISI 304	G 3/8" (f)	G 1/2" (f)	22,5 kg	24,3 kg
<b>Oil and similar 100 bar</b> - polyurethane seals	853012.415	853024.415	853023.415	853040.415	galvanized steel	G 1" (f)	G 1" (f)	23,5 kg	25,3 kg
<b>Oil and similar 150 bar</b> - polyurethane seals	853012.400	853024.400	853023.400	853040.400	galvanized steel	G 1/2" (f)	G 1/2" (f)	22,5 kg	24,3 kg
<b>Grease 600 bar</b> - polyurethane seals	853012.500	853024.500	853023.500	853040.500	galvanized steel	G 3/8" (f)	G 1/2" (f)	22,5 kg	24,3 kg
<b>Diesel fuel 20 bar</b> - Viton® seals	853012.150	853024.150	853023.150	853040.150	brass	G 1" (f)	G 1" (f)	23,5 kg	25,3 kg



# MOTORIZED HOSE REELS S. 530 in **AISI 304 STAINLESS** steel

Hose reel capacity without hose (m)					
Series 530	outlet 1/2"			outlet 1"	
	1/4"	3/8"	1/2"	3/4"	1"
inner hose $\phi$	1/4"	3/8"	1/2"	3/4"	1"
external hose $\phi$ (mm)	14,5	18,5	22	27,5	35,5
12 V DC - 24 V DC	50	35	25	15	8
230 V AC - 230/400 V AC					



**Packaging (mm) W x D x H**

710 x 430 x 710

W: width  
D: depth  
H: height

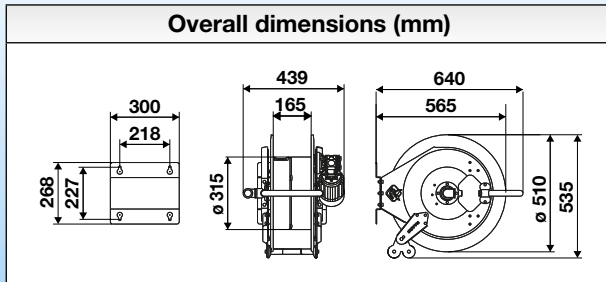


	Motor				Swivel joint	Connection		Weight DC	Weight AC
	12 V DC	24 V DC	230 V AC	230/400 V AC		Inlet	Outlet		
<b>Air-Water 20 bar</b> - Viton® seals	853212.100	853224.100	853223.100	853240.100	brass	G 1/2" (f)	G 1/2" (f)	22,5 kg	24,3 kg
	853212.150	853224.150	853223.150	853240.150		G 1" (f)	G 1" (f)	23,5 kg	25,3 kg
<b>Hot water 100 bar</b> - Viton® seals	853412.250	853424.250	853423.250	853440.250	AISI 304	G 1" (f)	G 1" (f)	24,0 kg	25,8 kg
	853412.200	853424.200	853423.200	853440.200	AISI 304	G 1/2" (f)	G 1/2" (f)	22,5 kg	24,3 kg
<b>Hot water 200 bar</b> - Viton® seals	853412.300	853424.300	853423.300	853440.300	AISI 304	G 3/8" (f)	G 1/2" (f)	22,5 kg	24,3 kg
<b>Hot water 400 bar</b> - Viton® and Teflon® seals	853412.350	853424.350	853423.350	853440.350	AISI 304	G 3/8" (f)	G 1/2" (f)	22,5 kg	24,3 kg
<b>Oil and similar 100 bar</b> - Viton® seals	853412.250	853424.250	853423.250	853440.250	AISI 304	G 1" (f)	G 1" (f)	24,0 kg	25,8 kg
<b>Oil and similar 150 bar</b> - Viton® seals	853412.200	853424.200	853423.200	853440.200	AISI 304	G 1/2" (f)	G 1/2" (f)	22,5 kg	24,3 kg
<b>Grease 600 bar</b> - polyurethane seals	853212.500	853224.500	853223.500	853240.500	galvanized steel	G 3/8" (f)	G 1/2" (f)	22,5 kg	24,3 kg
<b>Diesel fuel 20 bar</b> - Viton® seals	853212.150	853224.150	853223.150	853240.150	brass	G 1" (f)	G 1" (f)	23,5 kg	25,3 kg



# MOTORIZED HOSE REELS S. 540 in **PAINTED** steel

Hose reel capacity without hose (m)					
Series 540	outlet 1/2"			outlet 1"	
	inner hose $\phi$	1/4"	3/8"	1/2"	3/4"
external hose $\phi$ (mm)	14,5	18,5	22	27,5	35,5
12 V DC - 24 V DC	90	60	45	25	15
230 V AC - 230/400 V AC					



**Packaging (mm) W x D x H**

670 x 640 x 720

W: width  
D: depth  
H: height

**Drum colors**

RAL 7035	■
RAL 1004	■
RAL 3020	■
RAL 5002	■
RAL 9005	■

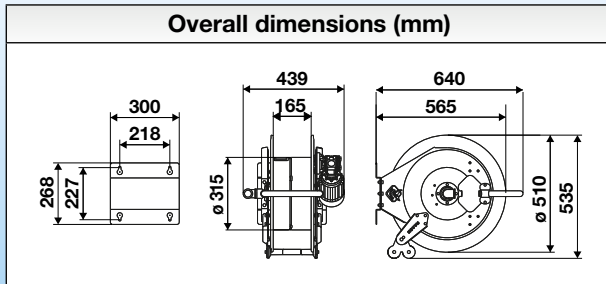


	Motor				Swivel joint	Connection		Weight DC	Weight AC
	12 V DC	24 V DC	230 V AC	230/400 V AC		Inlet	Outlet		
<b>Air-Water 20 bar</b> - Viton® seals	854012.100	854024.100	854023.100	854040.100	brass	G 1" (f)	G 1" (f)	29,2 kg	31,0 kg
	854012.105	854024.105	854023.105	854040.105		G 1/2" (f)	G 1/2" (f)	28,7 kg	30,5 kg
<b>Hot water 100 bar</b> - Viton® seals	854012.200	854024.200	854023.200	854040.200	AISI 304	G 1" (f)	G 1" (f)	29,2 kg	31,0 kg
	854012.205	854024.205	854023.205	854040.205	AISI 304	G 1/2" (f)	G 1/2" (f)	28,7 kg	30,5 kg
<b>Hot water 200 bar</b> - Viton® seals	854012.300	854024.300	854023.300	854040.300	AISI 304	G 3/8" (f)	G 1/2" (f)	28,7 kg	30,5 kg
<b>Hot water 400 bar</b> - Viton® and Teflon® seals	854012.350	854024.350	854023.350	854040.350	AISI 304	G 3/8" (f)	G 1/2" (f)	28,7 kg	30,5 kg
<b>Oil and similar 100 bar</b> - polyurethane seals	854012.400	854024.400	854023.400	854040.400	galvanized steel	G 1" (f)	G 1" (f)	29,2 kg	31,0 kg
<b>Oil and similar 150 bar</b> - polyurethane seals	854012.405	854024.405	854023.405	854040.405	galvanized steel	G 1/2" (f)	G 1/2" (f)	28,7 kg	30,5 kg
<b>Grease 600 bar</b> - polyurethane seals	854012.500	854024.500	854023.500	854040.500	galvanized steel	G 3/8" (f)	G 1/2" (f)	28,7 kg	30,5 kg
<b>Diesel fuel 20 bar</b> - Viton® seals	854012.100	854024.100	854023.100	854040.100	brass	G 1" (f)	G 1" (f)	29,2 kg	31,0 kg



# MOTORIZED HOSE REELS S. 540 in **AISI 304 STAINLESS** steel

Hose reel capacity without hose (m)					
Series 540	outlet 1/2"			outlet 1"	
	inner hose $\varnothing$	1/4"	3/8"	1/2"	3/4"
external hose $\varnothing$ (mm)	14,5	18,5	22	27,5	35,5
12 V DC - 24 V DC	90	60	45	25	15
230 V AC - 230/400 V AC					



**Packaging (mm) W x D x H**

670 x 640 x 720

W: width  
D: depth  
H: height

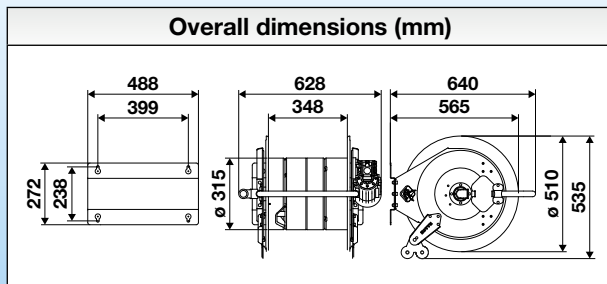


	Motor				Swivel joint	Connection		Weight DC	Weight AC
	12 V DC	24 V DC	230 V AC	230/400 V AC		Inlet	Outlet		
<b>Air-Water 20 bar</b> - Viton® seals	854212.100	854224.100	854223.100	854240.100	brass	G 1" (f)	G 1" (f)	29,2 kg	31,0 kg
	854212.105	854224.105	854223.105	854240.105		G 1/2" (f)	G 1/2" (f)	28,7 kg	30,5 kg
<b>Hot water 100 bar</b> - Viton® seals	854412.200	854424.200	854423.200	854440.200	AISI 304	G 1" (f)	G 1" (f)	29,2 kg	31,0 kg
	854412.205	854424.205	854423.205	854440.205	AISI 304	G 1/2" (f)	G 1/2" (f)	28,7 kg	30,5 kg
<b>Hot water 200 bar</b> - Viton® seals	854412.300	854424.300	854423.300	854440.300	AISI 304	G 3/8" (f)	G 1/2" (f)	28,7 kg	30,5 kg
<b>Hot water 400 bar</b> - Viton® and Teflon® seals	854412.350	854424.350	854423.350	854440.350	AISI 304	G 3/8" (f)	G 1/2" (f)	28,7 kg	30,5 kg
<b>Oil and similar 100 bar</b> - Viton® seals	854412.200	854424.200	854423.200	854440.200	AISI 304	G 1" (f)	G 1" (f)	29,2 kg	31,0 kg
<b>Oil and similar 150 bar</b> - Viton® seals	854412.205	854424.205	854423.205	854440.205	AISI 304	G 1/2" (f)	G 1/2" (f)	28,7 kg	30,5 kg
<b>Grease 600 bar</b> - polyurethane seals	854212.500	854224.500	854223.500	854240.500	galvanized steel	G 3/8" (f)	G 1/2" (f)	28,7 kg	30,5 kg
<b>Diesel fuel 20 bar</b> - Viton® seals	854212.100	854224.100	854223.100	854240.100	brass	G 1" (f)	G 1" (f)	29,2 kg	31,0 kg



# MOTORIZED HOSE REELS S. 560 in **PAINTED** steel

Hose reel capacity without hose (m)					
Series 560	outlet 1/2"			outlet 1"	
	1/4"	3/8"	1/2"	3/4"	1"
inner hose $\phi$	1/4"	3/8"	1/2"	3/4"	1"
external hose $\phi$ (mm)	14,5	18,5	22	27,5	35,5
230 V AC	130	80	70	60	30
12/24 V DC - 230/400 V AC	180	120	90	60	30



**Packaging (mm) W x D x H**

670 x 640 x 720

W: width  
D: depth  
H: height

**Drum colors**

RAL 7035	■
RAL 1004	■
RAL 3020	■
RAL 5002	■
RAL 9005	■

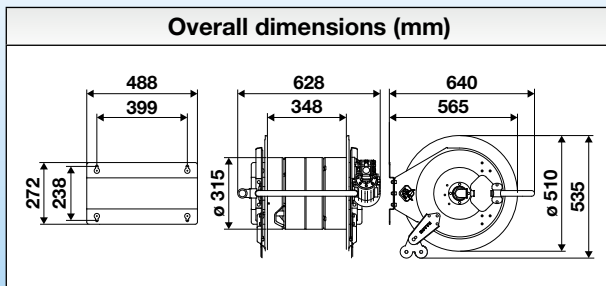
	Motor				Swivel joint	Connection		Weight DC	Weight AC
	12 V DC	24 V DC	230 V AC	230/400 V AC		Inlet	Outlet		
<b>Air-Water 20 bar</b> - Viton® seals	856012.100	856024.100	856023.100	856040.100	brass	G 1" (f)	G 1" (f)	48,0 kg	49,1 kg
	856012.106	856024.106	856023.106	856040.106		G 1/2" (f)	G 1/2" (f)	47,5 kg	48,6 kg
<b>Hot water 100 bar</b> - Viton® seals	856012.200	856024.200	856023.200	856040.200	AISI 304	G 1" (f)	G 1" (f)	48,0 kg	49,1 kg
	856012.206	856024.206	856023.206	856040.206	AISI 304	G 1/2" (f)	G 1/2" (f)	47,5 kg	48,6 kg
<b>Hot water 200 bar</b> - Viton® seals	856012.300	856024.300	856023.300	856040.300	AISI 304	G 3/8" (f)	G 1/2" (f)	47,5 kg	48,6 kg
<b>Hot water 400 bar</b> - Viton® and Teflon® seals	856012.350	856024.350	856023.350	856040.350	AISI 304	G 3/8" (f)	G 1/2" (f)	47,5 kg	48,6 kg
<b>Oil and similar 100 bar</b> - polyurethane seals	856012.400	856024.400	856023.400	856040.400	galvanized steel	G 1" (f)	G 1" (f)	48,0 kg	49,1 kg
<b>Oil and similar 150 bar</b> - polyurethane seals	856012.406	856024.406	856023.406	856040.406	galvanized steel	G 1/2" (f)	G 1/2" (f)	47,5 kg	48,6 kg
<b>Diesel fuel 20 bar</b> - Viton® seals	856012.100	856024.100	856023.100	856040.100	brass	G 1" (f)	G 1" (f)	48,0 kg	49,1 kg





# MOTORIZED HOSE REELS S. 560 in **AISI 304 STAINLESS** steel

Hose reel capacity without hose (m)					
Series 560	outlet 1/2"			outlet 1"	
	inner hose $\phi$	1/4"	3/8"	1/2"	3/4"
external hose $\phi$ (mm)	14,5	18,5	22	27,5	35,5
230 V AC	130	80	70	60	30
12/24 V DC - 230/400 V AC	180	120	90	60	30



**Packaging (mm) W x D x H**

670 x 640 x 720

W: width  
D: depth  
H: height

	Motor				Swivel joint	Connection		Weight DC	Weight AC
	12 V DC	24 V DC	230 V AC	230/400 V AC		Inlet	Outlet		
<b>Air-Water 20 bar</b> - Viton® seals	856212.100	856224.100	856223.100	856240.100	brass	G 1" (f)	G 1" (f)	49,5 kg	50,6 kg
	856212.106	856224.106	856223.106	856240.106		G 1/2" (f)	G 1/2" (f)	49,0 kg	50,1 kg
<b>Hot water 100 bar</b> - Viton® seals	856412.200	856424.200	856423.200	856440.200	AISI 304	G 1" (f)	G 1" (f)	49,5 kg	50,6 kg
	856412.206	856424.206	856423.206	856440.206	AISI 304	G 1/2" (f)	G 1/2" (f)	49,0 kg	50,1 kg
<b>Hot water 200 bar</b> - Viton® seals	856412.300	856424.300	856423.300	856440.300	AISI 304	G 3/8" (f)	G 1/2" (f)	49,0 kg	50,1 kg
<b>Hot water 400 bar</b> - Viton® and Teflon® seals	856412.350	856424.350	856423.350	856440.350	AISI 304	G 3/8" (f)	G 1/2" (f)	49,0 kg	50,1 kg
<b>Oil and similar 100 bar</b> - Viton® seals	856412.200	856424.200	856423.200	856440.200	AISI 304	G 1" (f)	G 1" (f)	49,5 kg	50,6 kg
<b>Oil and similar 150 bar</b> - Viton® seals	856412.206	856424.206	856423.206	856440.206	AISI 304	G 1/2" (f)	G 1/2" (f)	49,0 kg	50,1 kg
<b>Diesel fuel 20 bar</b> - Viton® seals	856212.100	856224.100	856223.100	856240.100	brass	G 1" (f)	G 1" (f)	49,5 kg	50,6 kg

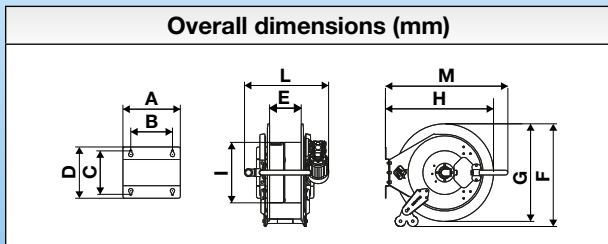


# MOTORIZED HOSE REELS in **AISI 316 STAINLESS** steel

Hose reel capacity without hose (m)					
Series 530	outlet 1/2"			outlet 1"	
inner hose $\varnothing$	1/4"	3/8"	1/2"	3/4"	1"
external hose $\varnothing$ (mm)	14,5	18,5	22	27,5	35,5
12 V DC - 24 V DC 230 V AC - 230/400 V AC	50	35	25	15	8

Hose reel capacity without hose (m)					
Series 540	outlet 1/2"			outlet 1"	
inner hose $\varnothing$	1/4"	3/8"	1/2"	3/4"	1"
external hose $\varnothing$ (mm)	14,5	18,5	22	27,5	35,5
12 V DC - 24 V DC 230 V AC - 230/400 V AC	90	60	45	25	15

Hose reel capacity without hose (m)					
Series 560	outlet 1/2"			outlet 1"	
inner hose $\varnothing$	1/4"	3/8"	1/2"	3/4"	1"
external hose $\varnothing$ (mm)	14,5	18,5	22	27,5	35,5
230 V AC	130	80	70	60	30
12/24 V DC - 230/400 V AC	180	120	90	60	30



Series	A	B	C	D	E	F	G	H	I	L	M
530	203	153	221	258	104	535	510	565	315	338	640
540	300	218	227	268	165	535	510	565	315	439	640
560	488	399	238	272	348	535	510	565	315	628	640

Series	Packaging (mm) W x D x H
530	710 X 430 X 710
540	670 X 640 X 720
560	670 X 640 X 720

W: width - D: depth - H: height



**S. 530**

**S. 540**



**S. 560**

Hot water 100 - 200 - 400 bar									
Series	Pressure	Motor				Connection		Weight DC	Weight AC
		12 V DC	24 V DC	230 V AC	230/400 V AC	Inlet	Outlet		
530	100 bar	853512.200	853524.200	853523.200	853540.200	G 1/2" (f)	G 1/2" (f)	22,5 kg	24,3 kg
	200 bar	853512.300	853524.300	853523.300	853540.300	G 3/8" (f)	G 1/2" (f)	22,5 kg	24,3 kg
	400 bar	853512.350	853524.350	853523.350	853540.350	G 3/8" (f)	G 1/2" (f)	22,5 kg	24,3 kg
540	100 bar	854512.200	854524.200	854523.200	854540.200	G 1" (f)	G 1" (f)	28,7 kg	30,5 kg
		854512.205	854524.205	854523.205	854540.205	G 1/2" (f)	G 1/2" (f)	29,2 kg	31,0 kg
560	100 bar	856512.200	856524.200	856523.200	856540.200	G 1" (f)	G 1" (f)	48,5 kg	49,6 kg
		856512.206	856524.206	856523.206	856540.206	G 1/2" (f)	G 1/2" (f)	47,5 kg	48,6 kg

AISI 316 stainless steel hose reels can also be used for the following fluids:

Oil and similar 100 bar

Grease 600 bar

Diesel fuel 20 bar

AdBlue® 100 bar



# HOSE REEL INSTALLATION



The arms can easily be repositioned as needed to adapt the hose reel to the workplace. This operation is very simple and can be performed by the end user.

## ► Floor or bench installation



## ► Wall installation

External bottom mounted hose guide roller



## ► Wall installation

Internal bottom mounted hose guide roller



## ► Wall installation

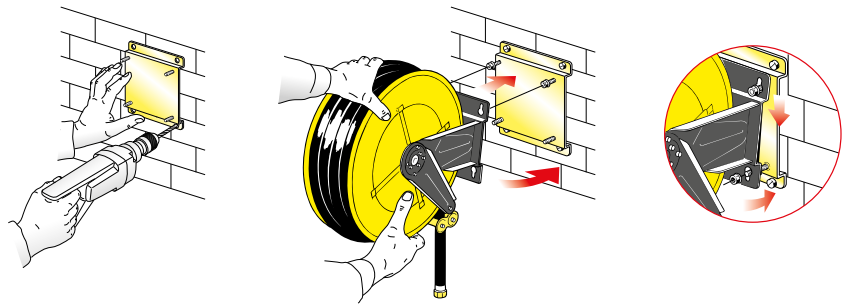
Top mounted hose guide roller





## ACCESSORIES - WALL BRACKETS

A **quick coupling support** is available upon request, to facilitate the individual hose reel coupling and to optimize the installation in series, i.e. several hose reels set side-by-side.



P/N 853001



P/N 853002

### P/N 853001

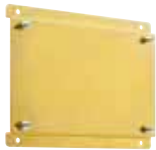
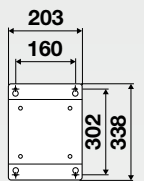
#### Fixed support in steel

for fixed painted steel hose reels series 530.

### P/N 853002

#### Fixed support in AISI 304 stainless steel

for fixed hose reels in AISI 304 stainless steel series 530.



P/N 854001



P/N 854002

### P/N 854001

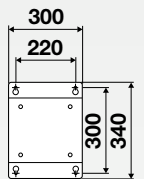
#### Fixed support in steel

for fixed painted steel hose reels series 540.

### P/N 854002

#### Fixed support in AISI 304 stainless steel

for fixed hose reels in AISI 304 stainless steel series 540.



P/N 856001



P/N 856002

### P/N 856001

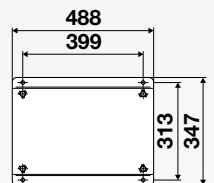
#### Fixed support in steel

for fixed painted steel hose reels series 560.

### P/N 856002

#### Fixed support in AISI 304 stainless steel

for fixed hose reels in AISI 304 stainless steel series 560.



### P/N 88630

**Modular drip tray.** Equipped with hook to secure the gun and removable drip tray. Applied under the hose reel, it is a practical housing for the dispensing gun. Essential for a clean, tidy workplace.



## ACCESSORIES - AUTOMATIC HOSE GUIDE



### IN PAINTED STEEL

**P/N 77/45301**

**Automatic hose guide in painted steel**  
for hose reel series s. 530, hoses up to 1".

**P/N 77/45312**

**Automatic hose guide in painted steel**  
for hose reel series s. 530, hoses up to 1/2".

**P/N 77/45401**

**Automatic hose guide in painted steel**  
for hose reel series s. 540, hoses up to 3/4".

**P/N 77/45402**

**Automatic hose guide in painted steel**  
for hose reel series s. 540, hoses 1".

**P/N 77/45412**

**Automatic hose guide in painted steel**  
for hose reel series s. 540, hoses up to 1/2".

**P/N 77/45601**

**Automatic hose guide in painted steel**  
for hose reel series s. 560, hoses up to 3/4".

**P/N 77/45602**

**Automatic hose guide in painted steel**  
for hose reel series s. 560, hoses 1".

**P/N 77/45612**

**Automatic hose guide in painted steel**  
for hose reel series s. 560, hoses up to 1/2".



### IN AISI 316 STAINLESS STEEL

**P/N 79/45301**

**Automatic hose guide in AISI 316 stainless steel**  
for hose reel series s. 530, hoses up to 1".

**P/N 79/45312**

**Automatic hose guide in AISI 316 stainless steel**  
for hose reel series s. 530, hoses up to 1/2".

**P/N 79/45401**

**Automatic hose guide in AISI 316 stainless steel**  
for hose reel series s. 540, hoses up to 3/4".

**P/N 79/45402**

**Automatic hose guide in AISI 316 stainless steel**  
for hose reel series s. 540, hoses 1".

**P/N 79/45412**

**Automatic hose guide in AISI 316 stainless steel**  
for hose reel series s. 540, hoses up to 1/2".

**P/N 79/45601**

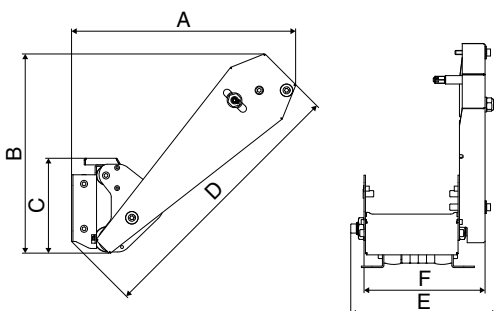
**Automatic hose guide in AISI 316 stainless steel**  
for hose reel series s. 560, hoses up to 3/4".

**P/N 79/45602**

**Automatic hose guide in AISI 316 stainless steel**  
for hose reel series s. 560, hoses 1".

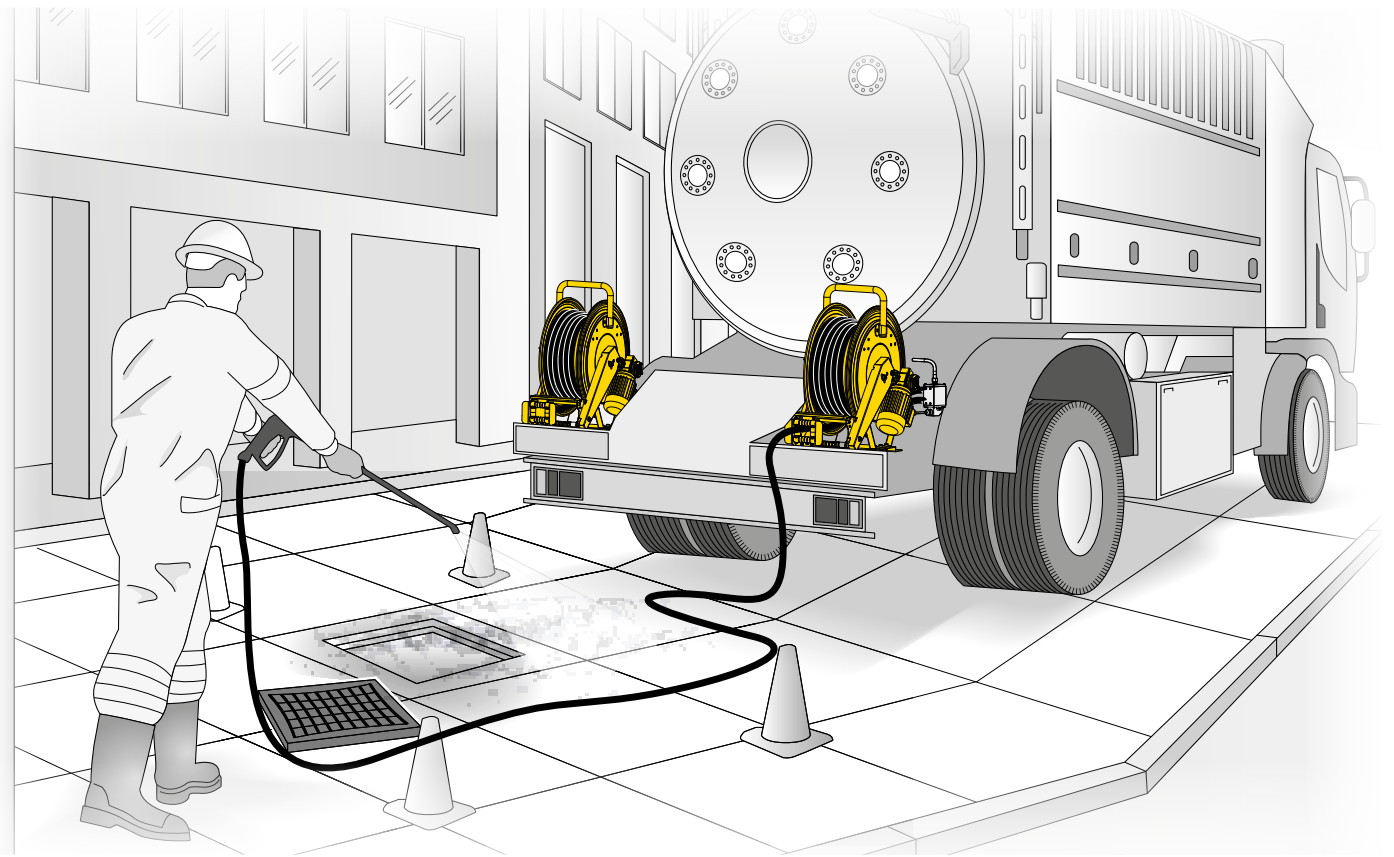
**P/N 79/45612**

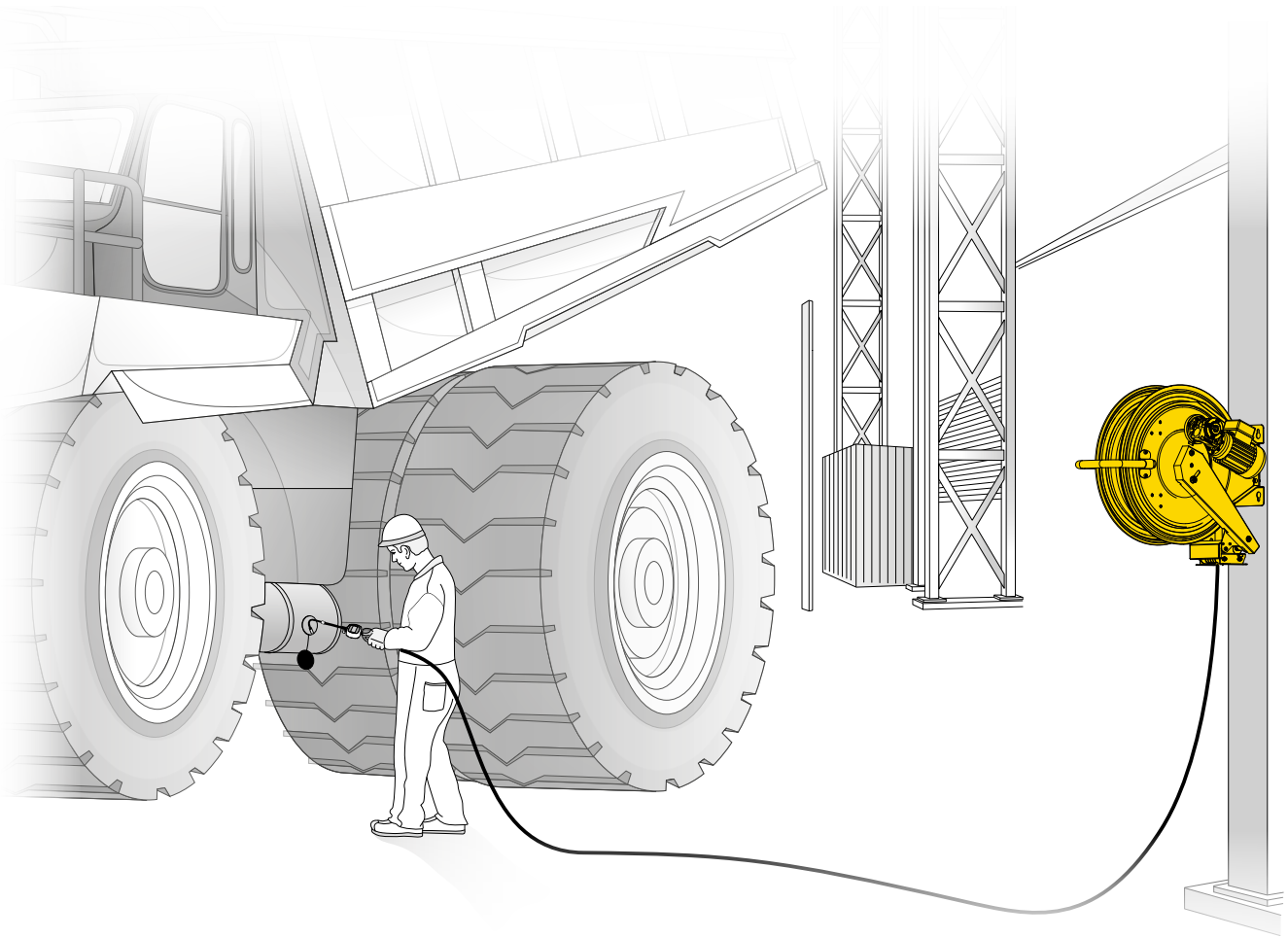
**Automatic hose guide in AISI 316 stainless steel**  
for hose reel series s. 560, hoses up to 1/2".

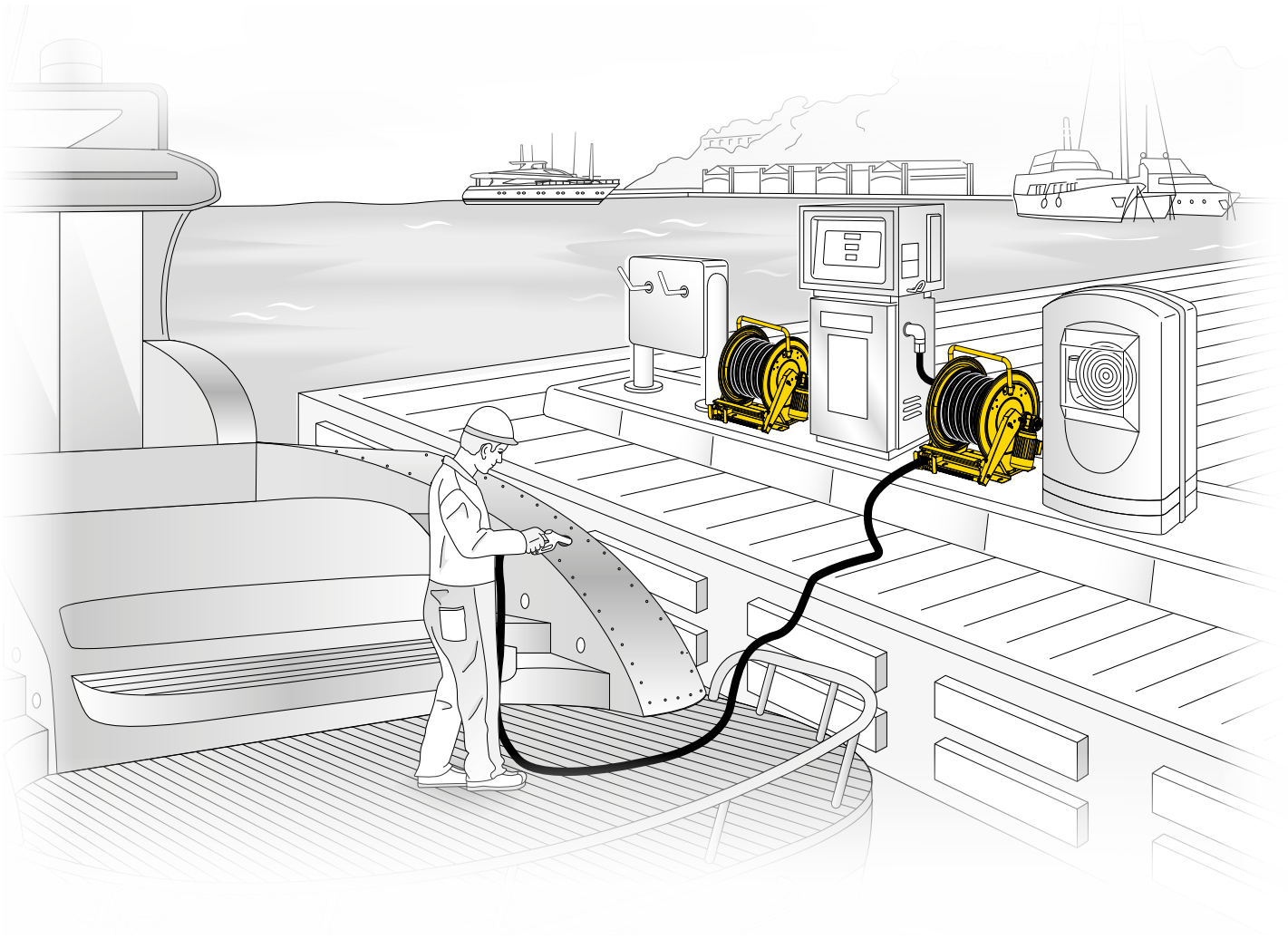


Series	A	B	C	D	E	F	Packaging (mm) L x P x H
530	371	341	136	448	223	187	380 x 120 x 150
540	371	341	136	448	288	252	370 x 135 x 370
560	371	341	136	448	472	436	200 x 130 x 510

(W: width - D: depth - H: height)







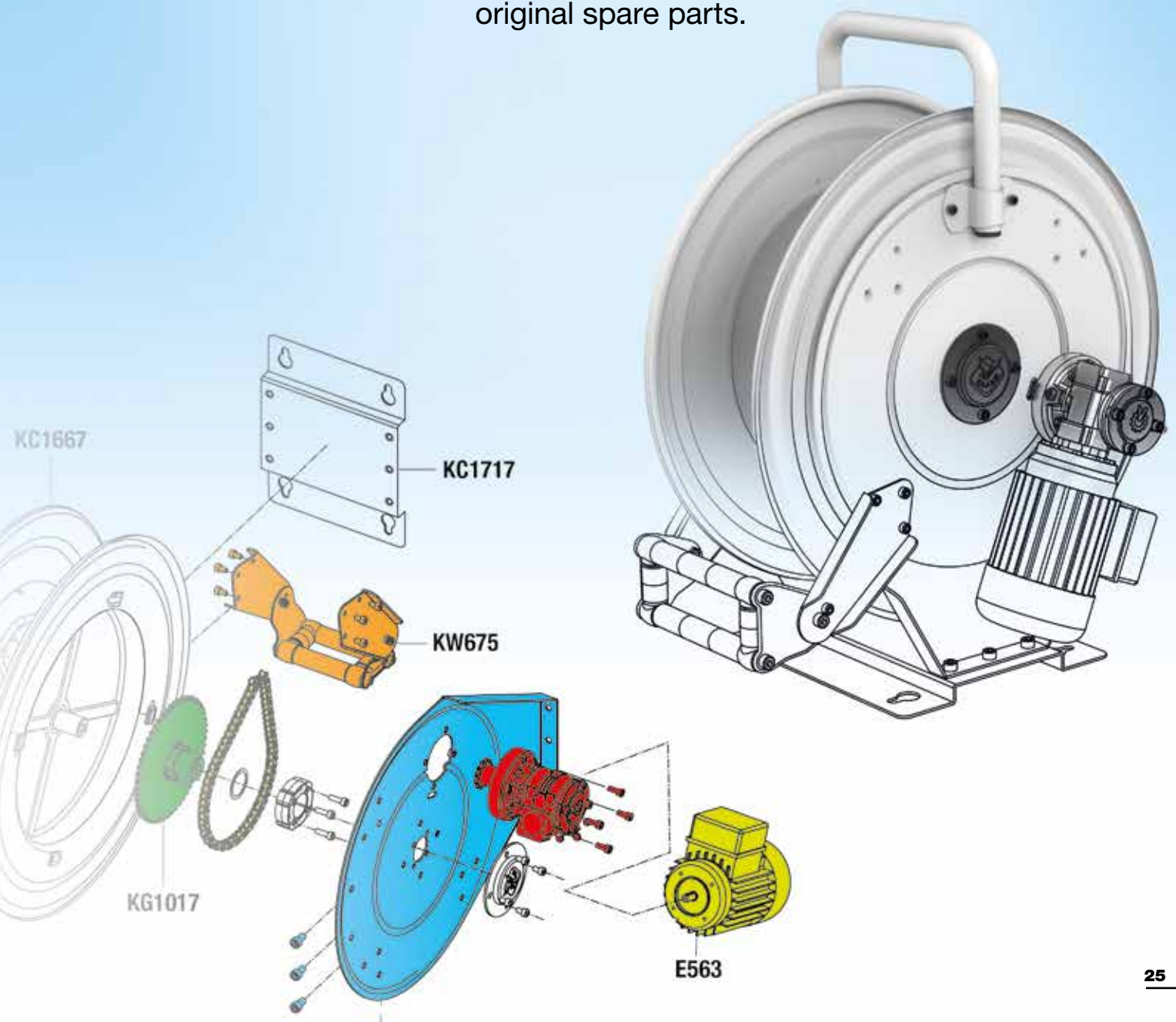




# ORIGINAL

## *spare parts*

Always choose RAASM  
original spare parts.



# GENERAL SALES CONDITIONS

## FOR FOREIGN MARKETS



The following general sales conditions regulate the sale of goods and services by the company RAASM S.p.A. for customers residing outside the territory of the Italian State.

### **Art. 1 GOODS DELIVERY TERMS**

The goods are delivered ex works RAASM S.p.A. The subsequent transport/shipment must occur by, in the name and at the expense of the purchasing customer, even by means of a carrier appointed and designated by the same. All risks arising from loading, subsequent custody and transport are borne entirely by the purchasing customer.

### **Art. 2 MINIMUM ORDERS**

Each order cannot be for less than € 1,500.00, net of fees, taxes, customs duties, discounts and rebates and any other charges not included in the price of the goods. If, at the option of RAASM S.p.A., orders for lower amounts are accepted, an extra charge of € 155,00 shall be applied for order management administrative expenses.

### **Art. 3 ACCESSORIES**

All the accessories given in the price list (plugs, oil bar taps, oil guns, grease guns, probes, protection caps, clutches, swivelling supports, etc.) are supplied exclusively for fitting to or combining with the items RAASM S.p.A. produces

### **Art. 4 COMPLAINTS**

Any defects immediately noticed after a brief inspection of the goods (damage, shortages or different product from that ordered) must be notified in writing to our company within 8 (eight) days of receipt the goods. Any defects in the product noticeable only during its use must be notified in writing to RAASM S.p.A. within 8 (eight) days of being detected. Any returns of goods must be authorized in advance by RAASM S.p.A. and freight charges are at the customer's expenses.

### **Art. 5 DELIVERY TIMES/TERMS**

Delivery times and dates are only approximate and are subject to change. Any delays in delivery do not entitle the customer to cancel the order or claim compensation for damages caused by delay of delivery. Delivery times for urgent orders must be agreed directly with RAASM S.p.A. RAASM S.p.A. has the right not to carry out the order and/or totally or partially carry it out, without this giving rise to reimbursement or claims for compensation for damage.

### **Art. 6 PACKS AND PACKAGING**

Packaging costs are included in the price, except for special packing, which shall be charged at cost.

### **Art. 7 PRICES**

The current Price list cancels and replaces the previous price list. In the event of changes to our price list and/or individual items, the goods shall be forwarded at the price in force on the day of the order confirmation. The price list and/or the prices of individual items can be changed even without notice, according to the changes in market conditions or technical innovations/modifications made to the product. The prices are understood to be ex works RAASM S.p.A.

### **Art. 8 PAYMENTS**

Payments must be made exclusively to RAASM S.p.A. at the agreed conditions. Under no circumstances will deductions or roundings be accepted. In case of late payment with respect to the agreed conditions, RAASM S.p.A. reserves the right to charge interest at the current rate, effective from the day after that agreed for payment, plus any additional expenses. Discounts conditional on the payment term and already credited shall be recharged.

### **Art. 9 WARRANTY**

RAASM S.p.A. provides each product with the communication of particular instructions for the installation, use and maintenance requirements and the need to carry out possible checks on the product. All the technical information and data mentioned in the catalogue and in the price-list in force are not binding and can be changed without prior notice for the purpose of improving the quality of the products. All products manufactured by RAASM S.p.A. are guaranteed for a period of 5 (five) years from the date of delivery to the first user. The user must keep and show the sales invoice - or an equivalent document - together with the item's serial number in order to make a claim under the RAASM S.p.A. guarantee. The 5 (five) year guarantee does not apply to components which are subject to normal wear and tear (such as gaskets, diaphragms, O-rings, hoses, etc.), electronic components and items that are sold but not manufactured by RAASM S.p.A. (marked with a red asterisk in the current product catalogue) which are guaranteed for 1 (one) year from the date of delivery to the first user.

1 (one) year warranty is valid also for the following products:

- digital litre counters and FCS system;
- cable reels;
- electric, pneumatic or hydraulic motor supplied with our industrial hose reels S. 600 and 700.

Incorrect installation, use or maintenance of the product shall void the warranty. Upon written notice, the articles must be returned free to our Factory for checking and acceptance. In any case, the guarantee expires in the 10th year from the date of manufacture (indicated by the serial number), if the stated expiry takes place before the expiration terms indicated above (1 or 5 years from delivery to the first user).

The manufacturer declines any responsibility for possible inaccuracies contained in this catalogue, due to printing or transcription errors. The manufacturer reserves the right to make any changes or improvements of a functional, technical or aesthetic nature without prior notice.

# RAASM

## Art. 10 RESPONSIBILITY

RAASM S.p.A. is exempt from any responsibility and liability for accidents that may occur to persons and property, as a result of or during the use of the equipment, due to or depending on the same whenever the products have been damaged during transport, tampered with or modified, or improperly used, or stored, installed, protected and preserved without complying with the instructions of RAASM S.p.A. as given in the installation, use and maintenance instruction manuals for each product. RAASM S.p.A. is liable for the value for the supplied product and cannot be held responsible in any way for other possible costs or additional costs that the customer may bear.

## Art. 11 CONFIDENTIALITY

Information not in the public domain that is exchanged in the execution of the contract is subject to the obligation of confidentiality, secrecy and security; said information is covered as an industrial secret and is of a confidential and reserved nature and may not be disseminated to third parties; its use is permitted exclusively and strictly to execute the supply contract.

## Art. 12 INTELLECTUAL PROPERTY RIGHTS

The RAASM trademark, and likewise the name RAASM, RAASM S.p.A., the logo and the other distinctive signs are internationally registered trademarks, and RAASM S.p.A. does not authorise their use and application under any circumstances. Without prior written consent from RAASM S.p.A., the content of catalogues, price lists, instruction manuals and similar, including content on the website may not be reproduced, either entirely or partially, nor may it be transferred by electronic or traditional means, nor may it be modified or utilised by any means and for any purpose. All rights are held by RAASM S.p.A. The customer acknowledges that RAASM S.p.A. holds exclusive ownership of all the parts, images, photographs and signs not in common usage, the content in the catalogues, price lists, instruction manuals and similar and/or present on the website [www.raasm.com](http://www.raasm.com) and/or other channels and/or social networks used by RAASM S.p.A. for their informational and marketing campaigns pursuant to Copyright Law and the Industrial Property Code.

## Art. 13 INFORMATION ON THE PROCESSING OF DATA PURSUANT TO ITALIAN LEGISLATIVE DECREE 196/2003

In accordance with article 13 of Italian Legislative Decree 196/2003 - Personal Data Protection Code - you are hereby advised that the processing of the personal data, provided with the purchase of goods or services and/or the supply of goods or services is solely for the purposes of carrying out the contract-based obligations and to comply with the specific requests from customers/ suppliers, as well as adhering to legislative obligations, in particular accounting and tax obligations or to respect orders issued by public authorities or to exercise a right in court. The data shall also be used for commercial statistics for corporate use and to obtain commercial information on our products and services if expressly authorised by the applicant. The processing of data shall be done using hard-copy and computerised procedures, in the manner and within the limits necessary to achieve the aforementioned purposes. Data may be communicated and processed by other companies in the Group for the same specified purposes, and may be made known to employees of our company, consultants and other suppliers, always and exclusively within the limits of the aforementioned purposes. The provision of data is mandatory for the correct execution of the contract and pre-contract based obligations, and failure to do so could result in it being impossible to fully comply with contractual obligations, and make it impossible to provide updates on the new products and services offered by our company. Data shall be processed for the duration of the contract relationship in place and subsequently to fulfil any legal formalities.

## Art. 14 RIGHTS OF DATA SUBJECTS

The information is aimed at defining the limits and methods for the processing of data, based on which individual customers and/or suppliers may freely authorise the collection and subsequent use of data. Data subjects are entitled to the rights pursuant to article 7 of the aforementioned Code and in particular, the right to access their personal data, ask for the amendment, update and cancellation thereof, if incomplete, incorrect or collected in violation of the law, and may object to the processing for legitimate reasons, addressing requests in this regard to RAASM S.p.A. Pursuant to the same article the data subject also has the right to request the complete and updated list of the Data Supervisors, and to ask for the cancellation, transformation into anonymous form or blocking of data processed in violation of the law, and to oppose in any case, for legitimate reasons, the processing thereof. To exercise these rights, and in the case of problems or any requests for clarification regarding what has been explained herein, kindly address these to RAASM S.p.A. - Via Marangoni, 33, Cassola (VI) - Italy or to the following email address: [info@raasm.com](mailto:info@raasm.com).

## Art. 15 DATA CONTROLLER

The Data Controller is RAASM S.p.A. with registered office at Via Marangoni 33, Cassola (VI) – Italy, and this is where the data processing shall take place.

## Art. 16 COMPETENT LAW COURT

Any disputes shall be settled by the Law Court of Vicenza, Italy.

The company RAASM S.p.A. holds the exclusive Intellectual Property rights on the RAASM trademark and all rights to its use and reproduction are reserved. The RAASM trademark is a registered trademark and is protected at an international level. No part of the RAASM trademark and its logo may be utilized, copied and/or used in any form, time and space, even by means of improper alterations.

The Intellectual Property rights on the images published in this catalogue are owned exclusively by RAASM S.p.A. and any unauthorized reproduction is prohibited.

Any use in general of the assets protected by the Intellectual Property rights of RAASM S.p.A. is prohibited and is subject to the prior written permission of RAASM S.p.A.





Company with quality,  
environment and safety system  
according to ISO 9001:2015,  
ISO 14001:2015 and  
ISO 45001:2018 standards

**RAASM S.p.A.**  
36022 S. ZENO DI CASSOLA (VI)  
Via Marangoni, 33 - ITALY

**Export department**  
Tel. +39 0424 571130 - Fax +39 0424 571135

**Technical department**  
Tel. +39 0424 571150 - Fax +39 0424 571155  
info@raasm.com - www.raasm.com



**GB** WRC225MO-GB  
rev. 00

Authorized dealer