



## P/N 236560.200

Manual trolley-mounted hose reel s. 560, for hot water, 100 bar, without hose. Inlet G 1" (f). Hose guide, safety system and rotation lock as standard

### AREAS OF USE

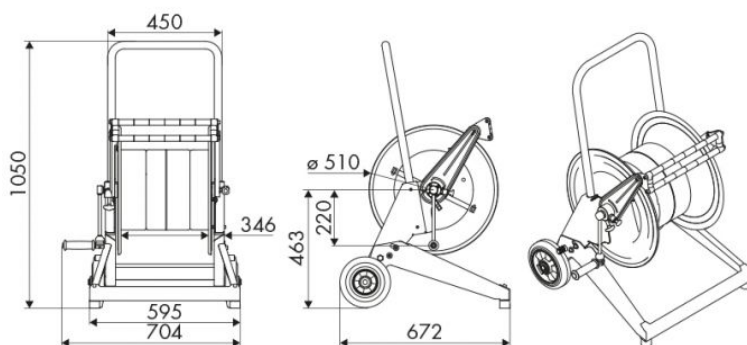
Agriculture, Building and road construction, Manufacturing industry, Mining industry, Lube trucks and transports, Railway transport

### FEATURES

Pressure	100 bar
Compatible fluids	water max 130 °C
Swivel joint	AISI 304 stainless steel
Seals	Viton®
Characteristic	trolley-mounted
Material	painted steel with zinc plated steel trolley
Couplings	-
Hose	-
ø and hose length	-
Inlet	G 1" (f)
Outlet	G 1" (f)
Reel flow path	AISI 304 stainless steel - zinc plated steel



### OVERALL DIMENSIONS (mm)



### HOSE REELS CAPACITY

ø 1/4"	ø 5/16"	ø 3/8"	ø 1/2"	ø 5/8"	ø 3/4"	ø 1"
320 m	240 m	140 m	100 m	90 m	60 m	30 m