



P/N 236560.105

Manual trolley-mounted hose reel s. 560, for air-water, 20 bar, without hose. Inlet-outlet G 1/2" (f). Hose guide, safety system and rotation lock as standard

AREAS OF USE

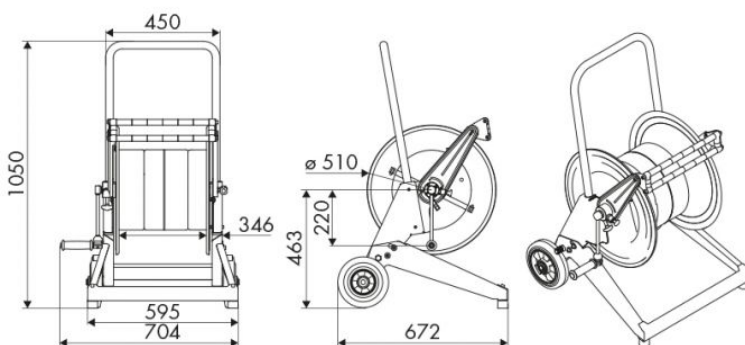
Agriculture, Building and road construction, Manufacturing industry, Mining industry, Lube trucks and transports, Railway transport

FEATURES

| | |
|-------------------|--|
| Pressure | 20 bar |
| Compatible fluids | air - water |
| Swivel joint | brass |
| Seals | Viton® |
| Characteristic | trolley-mounted |
| Material | painted steel with zinc plated steel trolley |
| Couplings | - |
| Hose | - |
| ø and hose length | - |
| Inlet | G 1/2" (f) |
| Outlet | G 1/2" (f) |
| Reel flow path | brass - zinc plated steel |



OVERALL DIMENSIONS (mm)



HOSE REELS CAPACITY

| ø 1/4" | ø 5/16" | ø 3/8" | ø 1/2" | ø 5/8" | ø 3/4" | ø 1" |
|--------|---------|--------|--------|--------|--------|------|
| 320 m | 240 m | 140 m | 100 m | 90 m | 60 m | 30 m |