



P/N 246544.205

Manual trolley-mounted hose reel in AISI 304 stainless steel s. 540, for hot water, 100 bar, without hose. Inlet-outlet G 1/2" (f). Hose guide, safety system and rotation lock as standard

AREAS OF USE

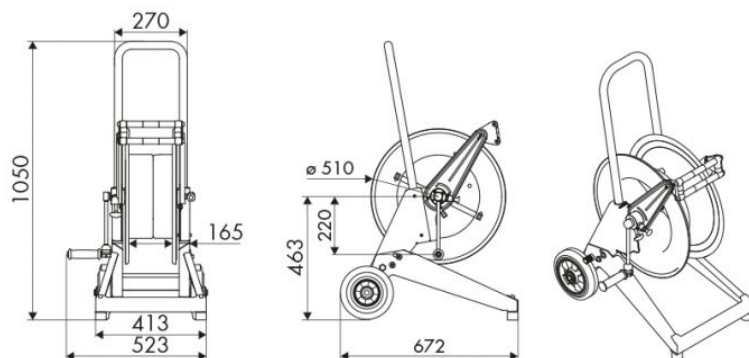
Agriculture, Cleaning, Chemical industry, Manufacturing industry, Mining industry, Shipping and offshore, Railway transport

FEATURES

| | |
|-------------------|--------------------------|
| Pressure | 100 bar |
| Compatible fluids | water max 130 °C |
| Swivel joint | AISI 304 stainless steel |
| Seals | Viton® |
| Characteristic | trolley-mounted |
| Material | AISI 304 stainless steel |
| Couplings | - |
| Hose | - |
| Ø and hose length | - |
| Inlet | G 1/2" (f) |
| Outlet | G 1/2" (f) |
| Reel flow path | AISI 304 stainless steel |



OVERALL DIMENSIONS (mm)



HOSE REELS CAPACITY

| Ø 1/4" | Ø 5/16" | Ø 3/8" | Ø 1/2" | Ø 5/8" | Ø 3/4" | Ø 1" |
|--------|---------|--------|--------|--------|--------|------|
| 150 m | 110 m | 65 m | 45 m | 35 m | 25 m | 15 m |