



## P/N 246542.105

Manual trolley-mounted hose reel in AISI 304 stainless steel s. 540, for air-water, 20 bar, without hose. Inlet-outlet G 1/2" (f). Hose guide, safety system and rotation lock as standard

### AREAS OF USE

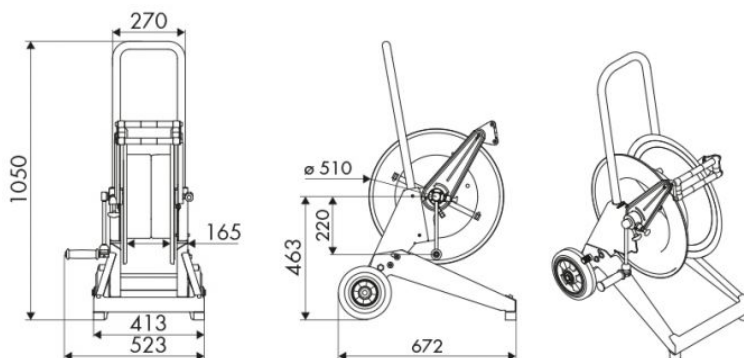
Agriculture, Cleaning, Chemical industry, Manufacturing industry, Mining industry, Shipping and offshore, Railway transport

### FEATURES

Pressure	20 bar
Compatible fluids	air - water
Swivel joint	brass
Seals	Viton®
Characteristic	trolley-mounted
Material	AISI 304 stainless steel
Couplings	-
Hose	-
Ø and hose length	-
Inlet	G 1/2" (f)
Outlet	G 1/2" (f)
Reel flow path	brass - AISI 304 stainless steel



### OVERALL DIMENSIONS (mm)



### HOSE REELS CAPACITY

Ø 1/4"	Ø 5/16"	Ø 3/8"	Ø 1/2"	Ø 5/8"	Ø 3/4"	Ø 1"
150 m	110 m	65 m	45 m	35 m	25 m	15 m