



## P/N 246534.200

Manual trolley-mounted hose reel in AISI 304 stainless steel s. 530, for hot water, 100 bar, without hose. Inlet-outlet G 1/2" (f). Hose guide, safety system and rotation lock as standard

### AREAS OF USE

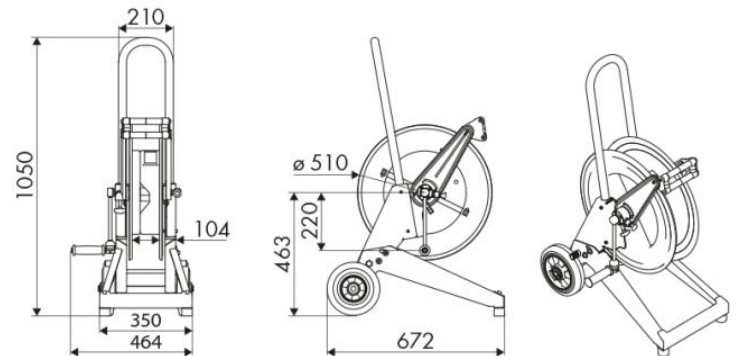
Agriculture, Cleaning, Chemical industry, Manufacturing industry, Mining industry, Shipping and offshore, Railway transport

### FEATURES

Pressure	100 bar
Compatible fluids	water max 130 °C
Swivel joint	AISI 304 stainless steel
Seals	Viton®
Characteristic	trolley-mounted
Material	AISI 304 stainless steel
Couplings	-
Hose	-
ø and hose length	-
Inlet	G 1/2" (f)
Outlet	G 1/2" (f)
Reel flow path	AISI 304 stainless steel



### OVERALL DIMENSIONS (mm)



### HOSE REELS CAPACITY

ø 1/4"	ø 5/16"	ø 3/8"	ø 1/2"	ø 5/8"	ø 3/4"	ø 1"
90 m	65 m	35 m	25 m	20 m	15 m	7 m