



ADVANCED FLUID
MANAGEMENT SOLUTIONS

RAASM S.p.a.

Via Marangoni 33, 36022
S. Zeno di Cassola (VI) Italy
Tel. +39 0424 570891
info@raasm.com

P/N 8566.200



Fixed hose reel s. 560, for hot water, 100 bar, without hose. Inlet-outlet G 1" (f) and central pin and swivel joint in AISI 316 stainless steel

AREAS OF USE

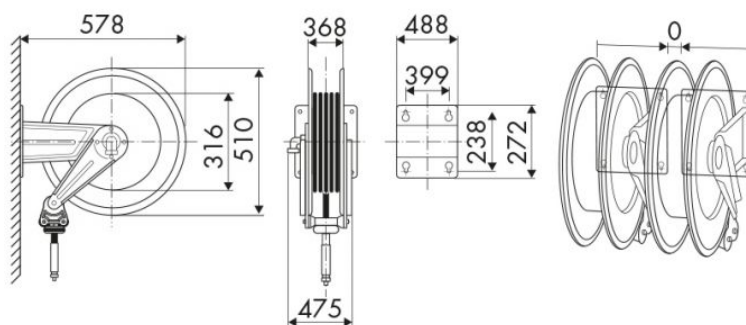
Agriculture, Cleaning, Building and road construction, Chemical industry, Manufacturing industry, Mining industry, Shipping and offshore, Railway transport

FEATURES

Pressure	100 bar
Compatible fluids	water max 130 °C
Swivel joint	AISI 316 stainless steel
Seals	Viton®
Characteristic	fixed
Material	painted steel
Couplings	-
Hose	-
∅ and hose length	-
Inlet	G 1" (f)
Outlet	G 1" (f)
Reel flow path	AISI 316 stainless steel



OVERALL DIMENSIONS (mm)



HOSE REELS CAPACITY

∅ 5/8"	∅ 3/4"	∅ 1"
50 m	40 m	30 m