



ADVANCED FLUID
MANAGEMENT SOLUTIONS

RAASM S.p.a.

Via Marangoni 33, 36022
S. Zeno di Cassola (VI) Italy
Tel. +39 0424 570891
info@raasm.com

P/N 8550.500



Swivelling hose reel s. 540, for grease, 600 bar, without hose. Inlet G 3/8" (f) - outlet G 1/2" (f)

AREAS OF USE

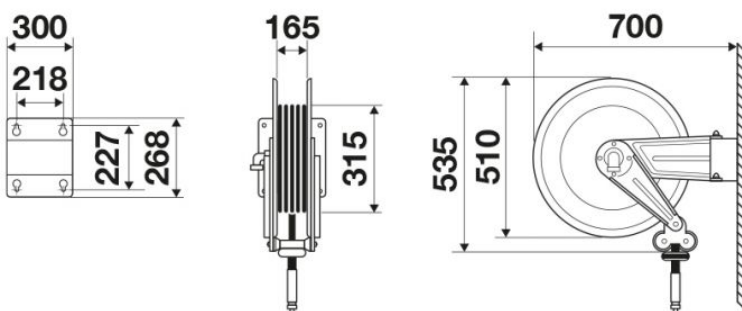
Aeronautics, Agriculture, Automotive, Building and road construction, Manufacturing industry, Mining industry, Lube trucks and transports, Railway transport

FEATURES

Pressure	600 bar
Compatible fluids	grease
Swivel joint	zinc plated steel
Seals	polyurethane
Characteristic	swivelling
Material	painted steel
Couplings	-
Hose	-
Ø and hose length	-
Inlet	G 3/8" (f)
Outlet	G 1/2" (f)
Reel flow path	zinc plated steel



OVERALL DIMENSIONS (mm)



HOSE REELS CAPACITY

Ø 3/8"	Ø 1/2"	Ø 5/8"
30 m	30 m	30 m