



ADVANCED FLUID  
MANAGEMENT SOLUTIONS

**RAASM S.p.a.**

Via Marangoni 33, 36022  
S. Zeno di Cassola (VI) Italy  
Tel. +39 0424 570891  
info@raasm.com

## P/N 8550.405



Swivelling hose reel s. 540, for oil and similar, 150 bar, without hose. Inlet-outlet G 1/2" (f)

### AREAS OF USE

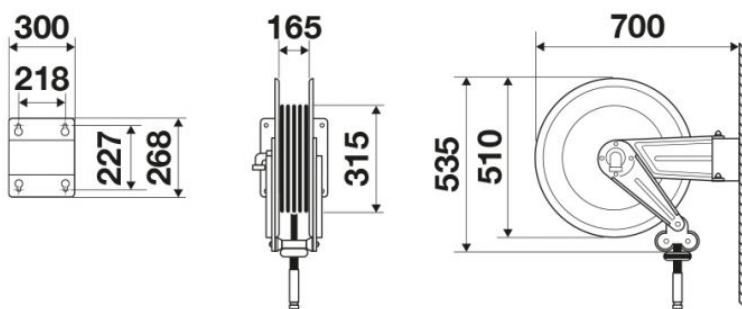
Aeronautics, Agriculture, Automotive, Building and road construction, Manufacturing industry, Mining industry, Lube trucks and transports, Railway transport

### FEATURES

Pressure	150 bar
Compatible fluids	oils and similar products
Swivel joint	zinc plated steel
Seals	polyurethane
Characteristic	swivelling
Material	painted steel
Couplings	zinc plated steel
Hose	p/n 997.3315
Ø and hose length	Ø 3/4" - 15 m
Inlet	G 1" (f)
Outlet	G 3/4" (m)
Reel flow path	zinc plated steel



### OVERALL DIMENSIONS (mm)



### HOSE REELS CAPACITY

Ø 3/4"	Ø 1"
22 m	15 m