



P/N 8550.200



Swivelling hose reel s. 540, for hot water, 100 bar, without hose. Inlet-outlet G 1" (f)

AREAS OF USE

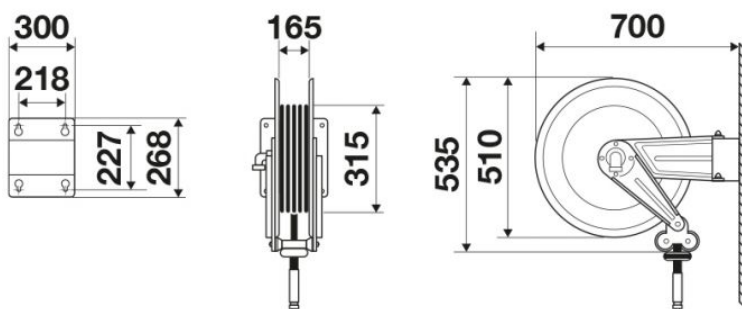
Aeronautics, Agriculture, Automotive, Building and road construction, Manufacturing industry, Mining industry, Lube trucks and transports, Railway transport

FEATURES

Pressure	100 bar
Compatible fluids	water max 130 °C
Swivel joint	AISI 304 stainless steel
Seals	Viton®
Characteristic	swivelling
Material	painted steel
Couplings	-
Hose	-
∅ and hose length	-
Inlet	G 1" (f)
Outlet	G 1" (f)
Reel flow path	AISI 304 stainless steel - zinc plated steel



OVERALL DIMENSIONS (mm)



HOSE REELS CAPACITY

∅ 5/8"	∅ 3/4"	∅ 1"
20 m	22 m	15 m