



ADVANCED FLUID  
MANAGEMENT SOLUTIONS

**RAASM S.p.a.**

Via Marangoni 33, 36022  
S. Zeno di Cassola (VI) Italy  
Tel. +39 0424 570891  
info@raasm.com

## P/N 8550.100



Swivelling hose reel s. 540, for air-water, 20 bar,  
without hose. Inlet-outlet G 1" (f)

### AREAS OF USE

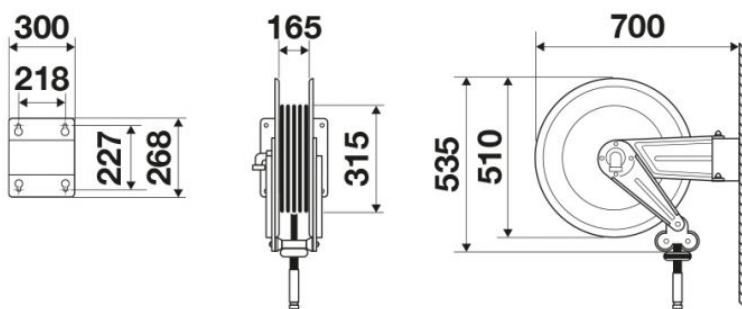
Aeronautics, Agriculture, Automotive, Building and road  
construction, Manufacturing industry, Mining industry,  
Lube trucks and transports, Railway transport

### FEATURES

Pressure	20 bar
Compatible fluids	air - water
Swivel joint	brass
Seals	Viton®
Characteristic	swivelling
Material	painted steel
Couplings	-
Hose	-
Ø and hose length	-
Inlet	G 1" (f)
Outlet	G 1" (f)
Reel flow path	brass - zinc plated steel



### OVERALL DIMENSIONS (mm)



### HOSE REELS CAPACITY

Ø 5/8"	Ø 3/4"	Ø 1"
20 m	20 m	15 m