



ADVANCED FLUID  
MANAGEMENT SOLUTIONS

**RAASM S.p.a.**

Via Marangoni 33, 36022  
S. Zeno di Cassola (VI) Italy  
Tel. +39 0424 570891  
info@raasm.com

## P/N 8540.700



Fixed hose reel s. 540, for welding, 20 bar, without hose. Arrangement for double inlet-outlet. Inlet-outlet G 3/8" (m)

### AREAS OF USE

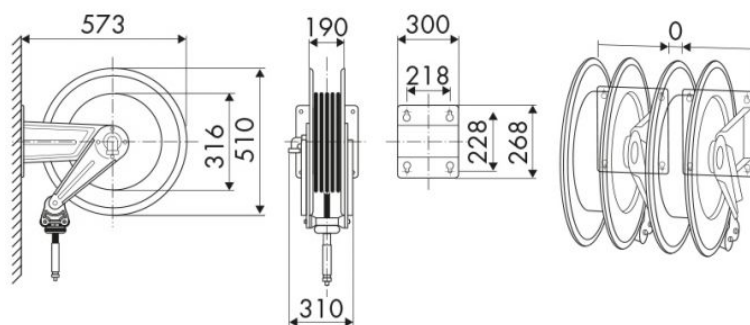
Building and road construction, Manufacturing industry, Mining industry, Shipping and offshore

### FEATURES

Pressure	20 bar
Compatible fluids	welding
Swivel joint	brass
Seals	Viton®
Characteristic	fixed
Material	painted steel
Couplings	-
Hose	-
Ø and hose length	-
Inlet	G 3/8" (m)
Outlet	G 3/8" (m)
Reel flow path	brass - zinc plated steel



### OVERALL DIMENSIONS (mm)



### HOSE REELS CAPACITY

Ø 1/4"	Ø 5/16"	Ø 3/8"
37 m	35 m	27 m