



ADVANCED FLUID
MANAGEMENT SOLUTIONS

RAASM S.p.a.

Via Marangoni 33, 36022
S. Zeno di Cassola (VI) Italy
Tel. +39 0424 570891
info@raasm.com

P/N 8540.200



Fixed hose reel s. 540, for hot water, 100 bar, without hose. Inlet-outlet G 1" (f)

AREAS OF USE

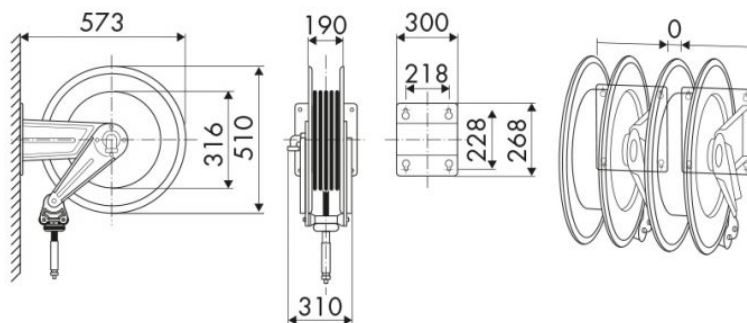
Aeronautics, Agriculture, Automotive, Building and road construction, Manufacturing industry, Mining industry, Lube trucks and transports, Railway transport

FEATURES

| | |
|-------------------|--|
| Pressure | 100 bar |
| Compatible fluids | water max 130 °C |
| Swivel joint | AISI 304 stainless steel |
| Seals | Viton® |
| Characteristic | fixed |
| Material | painted steel |
| Couplings | - |
| Hose | - |
| Ø and hose length | - |
| Inlet | G 1" (f) |
| Outlet | G 1" (f) |
| Reel flow path | AISI 304 stainless steel - zinc plated steel |



OVERALL DIMENSIONS (mm)



HOSE REELS CAPACITY

| Ø 5/8" | Ø 3/4" | Ø 1" |
|--------|--------|------|
| 20 m | 22 m | 15 m |