



ADVANCED FLUID
MANAGEMENT SOLUTIONS

RAASM S.p.a.

Via Marangoni 33, 36022
S. Zeno di Cassola (VI) Italy
Tel. +39 0424 570891
info@raasm.com

P/N 8540.1000



Fixed hose reel s. 540, for air-water, 20 bar, without hose. Arrangement for double inlet-outlet. Inlet G 1/2" (f), outlet G 3/8" (m)

AREAS OF USE

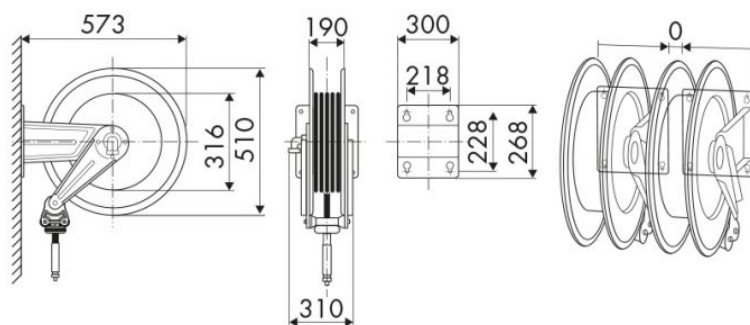
Cleaning, Manufacturing industry, Shipping and offshore

FEATURES

Pressure	20 bar
Compatible fluids	air - water
Swivel joint	brass
Seals	Viton®
Characteristic	fixed
Material	painted steel
Couplings	-
Hose	-
Ø and hose length	-
Inlet	G 1/2" (f)
Outlet	G 3/8" (m)
Reel flow path	brass - zinc plated steel



OVERALL DIMENSIONS (mm)



HOSE REELS CAPACITY

Ø 1/4"	Ø 5/16"	Ø 3/8"
37 m	35 m	25 m