



ADVANCED FLUID
MANAGEMENT SOLUTIONS

RAASM S.p.a.

Via Marangoni 33, 36022
S. Zeno di Cassola (VI) Italy
Tel. +39 0424 570891
info@raasm.com

P/N 8530.800



Fixed hose reel s. 530, for Lpg-Nat. Gas, 20 bar, without hose. Inlet-outlet G 3/8"(m)

AREAS OF USE

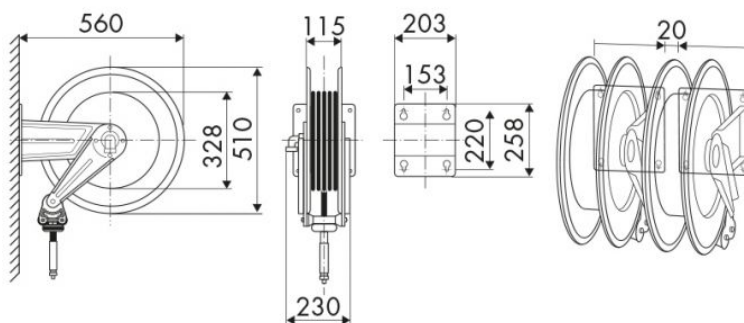
Building and road construction, Manufacturing industry, Mining industry, Shipping and offshore

FEATURES

Pressure	20 bar
Compatible fluids	LPG/methane
Swivel joint	brass
Seals	Viton®
Characteristic	fixed
Material	painted steel
Couplings	-
Hose	-
∅ and hose length	-
Inlet	G 3/8" (m) LH
Outlet	G 3/8" (m) LH
Reel flow path	brass - zinc plated steel



OVERALL DIMENSIONS (mm)



HOSE REELS CAPACITY

∅ 3/8"	∅ 1/2"	∅ 5/8"
25 m	25 m	22 m