



ADVANCED FLUID
MANAGEMENT SOLUTIONS

RAASM S.p.a.

Via Marangoni 33, 36022
S. Zeno di Cassola (VI) Italy
Tel. +39 0424 570891
info@raasm.com

P/N 8530.700



Fixed hose reel s. 530, for welding, 20 bar, without hose. Arrangement for double inlet-outlet. Inlet-outlet G 3/8" (m)

AREAS OF USE

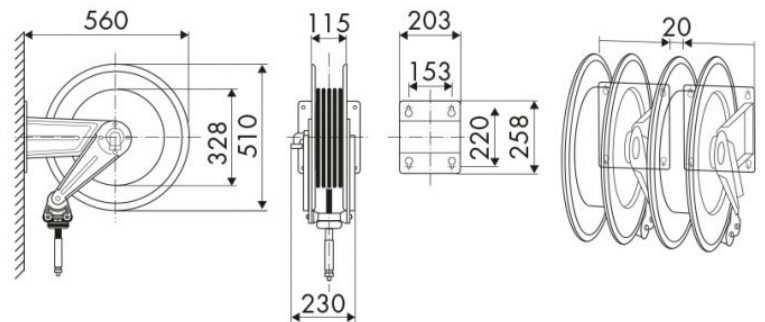
Building and road construction, Manufacturing industry, Mining industry, Shipping and offshore

FEATURES

Pressure	20 bar
Compatible fluids	welding
Swivel joint	brass
Seals	Viton®
Characteristic	fixed
Material	painted steel
Couplings	-
Hose	-
∅ and hose length	-
Inlet	G 3/8" (m)
Outlet	G 3/8" (m)
Reel flow path	brass - zinc plated steel



OVERALL DIMENSIONS (mm)



HOSE REELS CAPACITY

∅ 1/4"	∅ 5/16"	∅ 3/8"
22 m	20 m	15 m