



ADVANCED FLUID  
MANAGEMENT SOLUTIONS

**RAASM S.p.a.**

Via Marangoni 33, 36022  
S. Zeno di Cassola (VI) Italy  
Tel. +39 0424 570891  
info@raasm.com

## P/N 8530.600



Fixed hose reel s. 530, for diesel, 20 bar, without hose.  
Inlet-outlet G 1" (f)

### AREAS OF USE

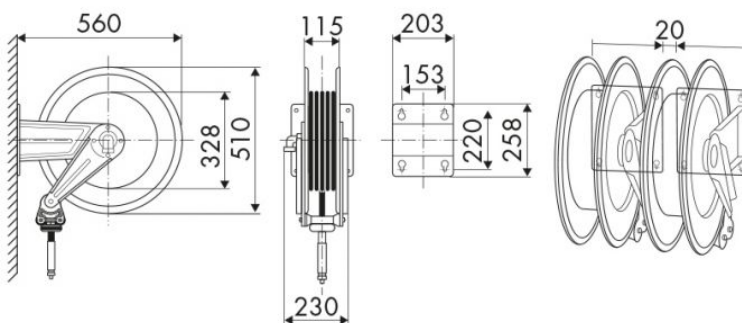
Agriculture, Building and road construction,  
Manufacturing industry, Mining industry, Lube trucks  
and transports, Shipping and offshore, Railway  
transport

### FEATURES

Pressure	20 bar
Compatible fluids	diesel fuel
Swivel joint	brass
Seals	Viton®
Characteristic	fixed
Material	painted steel
Couplings	-
Hose	-
∅ and hose length	-
Inlet	G 1" (f)
Outlet	G 1" (f)
Reel flow path	brass - zinc plated steel



### OVERALL DIMENSIONS (mm)



### HOSE REELS CAPACITY

∅ 5/16"	∅ 3/8"	∅ 1/2"	∅ 5/8"	∅ 3/4"	∅ 1"
27 m	25 m	25 m	22 m	12 m	8 m