



ADVANCED FLUID
MANAGEMENT SOLUTIONS

RAASM S.p.a.

Via Marangoni 33, 36022
S. Zeno di Cassola (VI) Italy
Tel. +39 0424 570891
info@raasm.com

P/N 8530.500



Fixed hose reel s. 530, for grease, 600 bar, without hose. Inlet G 3/8" (f) - outlet G 1/2" (f)

AREAS OF USE

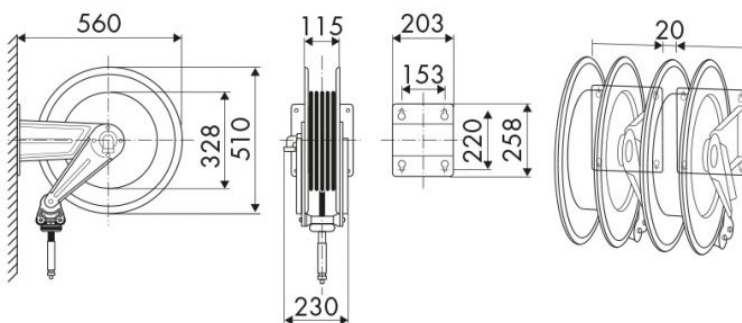
Aeronautics, Agriculture, Automotive, Building and road construction, Manufacturing industry, Lube trucks and transports, Railway transport

FEATURES

| | |
|-------------------|-------------------|
| Pressure | 600 bar |
| Compatible fluids | grease |
| Swivel joint | zinc plated steel |
| Seals | polyurethane |
| Characteristic | fixed |
| Material | painted steel |
| Couplings | - |
| Hose | - |
| ∅ and hose length | - |
| Inlet | G 3/8" (f) |
| Outlet | G 1/2" (f) |
| Reel flow path | zinc plated steel |



OVERALL DIMENSIONS (mm)



HOSE REELS CAPACITY

| | |
|--------|--------|
| ∅ 3/8" | ∅ 1/2" |
| 25 m | 25 m |