



ADVANCED FLUID
MANAGEMENT SOLUTIONS

RAASM S.p.a.

Via Marangoni 33, 36022
S. Zeno di Cassola (VI) Italy
Tel. +39 0424 570891
info@raasm.com

P/N 8520.200



Swivelling hose reel s. 530, for hot water, 100 bar, without hose. Inlet-outlet G 1/2" (f)

AREAS OF USE

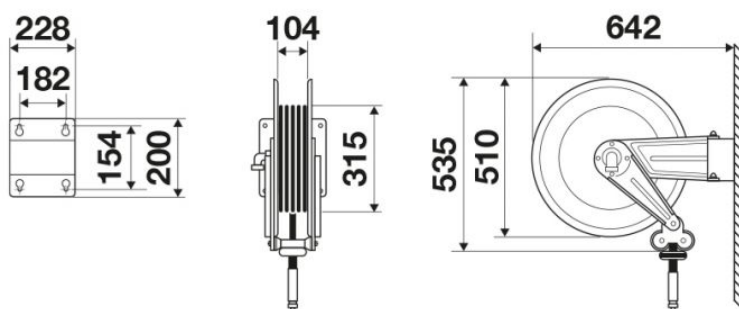
Aeronautics, Agriculture, Automotive, Building and road construction, Manufacturing industry, Lube trucks and transports, Railway transport

FEATURES

Pressure	100 bar
Compatible fluids	water max 130 °C
Swivel joint	AISI 304 stainless steel
Seals	Viton®
Characteristic	swivelling
Material	painted steel
Couplings	-
Hose	-
∅ and hose length	-
Inlet	G 1/2" (f)
Outlet	G 1/2" (f)
Reel flow path	AISI 304 stainless steel - zinc plated steel



OVERALL DIMENSIONS (mm)



HOSE REELS CAPACITY

∅ 3/8"	∅ 1/2"	∅ 5/8"
25 m	25 m	22 m