



ADVANCED FLUID  
MANAGEMENT SOLUTIONS

**RAASM S.p.a.**

Via Marangoni 33, 36022  
S. Zeno di Cassola (VI) Italy  
Tel. +39 0424 570891  
info@raasm.com

## P/N 8430.5000



Fixed hose reel s. 430, for oil and water, 400 bar, without hose. Arrangement for double inlet-outlet. Inlet-outlet G 3/8" (f)

### AREAS OF USE

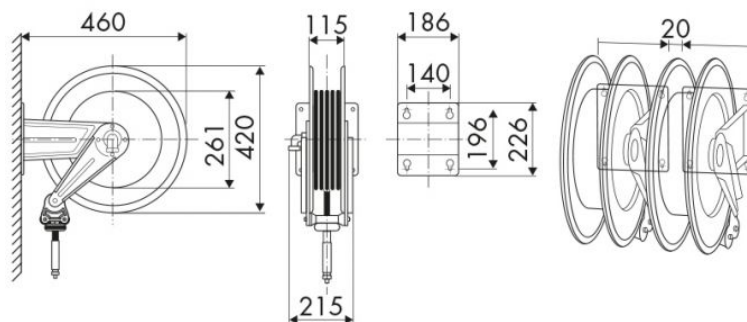
Cleaning, Manufacturing industry, Shipping and offshore

### FEATURES

Pressure	400 bar
Compatible fluids	oils and similar products
Swivel joint	2 painted steel swivels joint
Seals	polyurethane
Characteristic	fixed
Material	painted steel
Couplings	-
Hose	-
Ø and hose length	-
Inlet	G 3/8" (f)
Outlet	G 3/8" (m)
Reel flow path	zinc plated steel



### OVERALL DIMENSIONS (mm)



### HOSE REELS CAPACITY

Ø 5/16"	Ø 3/8"
12 m	10 m