



ADVANCED FLUID
MANAGEMENT SOLUTIONS

RAASM S.p.a.

Via Marangoni 33, 36022
S. Zeno di Cassola (VI) Italy
Tel. +39 0424 570891
info@raasm.com

P/N 8430.4000



Fixed hose reel s. 430, for oil, 150 bar, without hose.
Arrangement for double inlet-outlet. Inlet G 1/2" (f),
outlet G 3/8"G (m)

AREAS OF USE

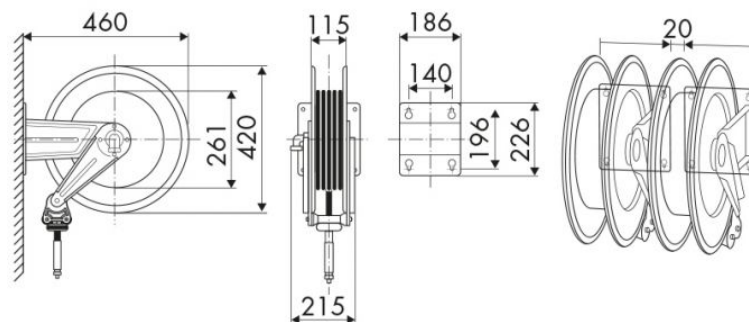
Cleaning, Manufacturing industry, Shipping and
offshore

FEATURES

Pressure	150 bar
Compatible fluids	oils - paints
Swivel joint	2 painted steel swivels joint
Seals	polyurethane
Characteristic	fixed
Material	painted steel
Couplings	-
Hose	-
∅ and hose length	-
Inlet	G 3/8" (f)
Outlet	G 3/8" (m)
Reel flow path	zinc plated steel



OVERALL DIMENSIONS (mm)



HOSE REELS CAPACITY

∅ 5/16"	∅ 3/8"	∅ 1/2"
20 m	20 m	16 m