



ADVANCED FLUID  
MANAGEMENT SOLUTIONS

**RAASM S.p.a.**

Via Marangoni 33, 36022  
S. Zeno di Cassola (VI) Italy  
Tel. +39 0424 570891  
info@raasm.com

## P/N 8390.200



Fixed hose reel s. 390, for hot water, 100 bar, without hose. Inlet G 1/2" (f) - outlet G 3/8" (f) - G 1/2" (f)

### AREAS OF USE

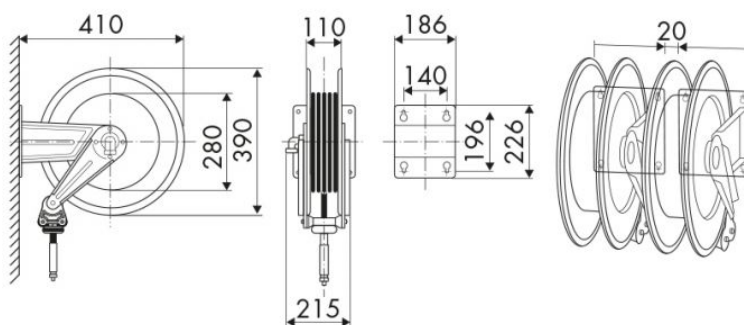
Aeronautics, Agriculture, Automotive, Building and road construction, Manufacturing industry, Lube trucks and transports

### FEATURES

Pressure	100 bar
Compatible fluids	water max 130 °C
Swivel joint	AISI 304 stainless steel
Seals	Viton®
Characteristic	fixed
Material	painted steel
Couplings	-
Hose	-
∅ and hose length	-
Inlet	G 1/2" (f)
Outlet	G 3/8" (f) - G 1/2" (f)
Reel flow path	AISI 304 stainless steel - zinc plated steel



### OVERALL DIMENSIONS (mm)



### HOSE REELS CAPACITY

∅ 1/4"	∅ 5/16"	∅ 3/8"	∅ 1/2"
15 m	16 m	17 m	12 m