



## P/N 8380.350



Swivelling hose reel s. 390, for air-water, 400 bar, without hose. Inlet-outlet G 3/8" (f)

### AREAS OF USE

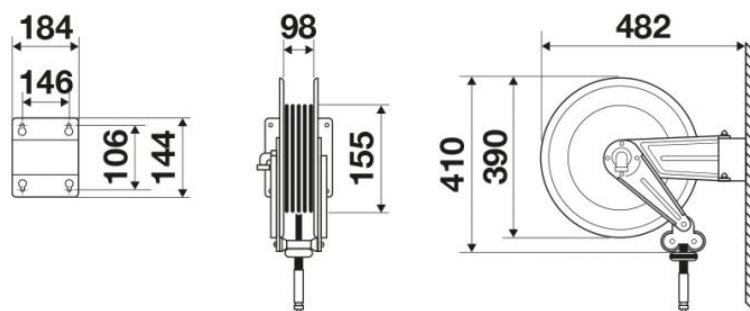
Aeronautics, Agriculture, Automotive, Building and road construction, Manufacturing industry, Lube trucks and transports

### FEATURES

Pressure	400 bar
Compatible fluids	water max 130 °C
Swivel joint	AISI 304 stainless steel
Seals	Viton® and Teflon®
Characteristic	swivelling
Material	painted steel
Couplings	-
Hose	-
∅ and hose length	-
Inlet	G 3/8" (f)
Outlet	G 3/8" (f)
Reel flow path	AISI 304 stainless steel - zinc plated steel



### OVERALL DIMENSIONS (mm)



### HOSE REELS CAPACITY

∅ 8 x 12	∅ 10 x 14,5	∅ 13 x 19
18 m	16 m	12 m