



ADVANCED FLUID
MANAGEMENT SOLUTIONS

RAASM S.p.a.

Via Marangoni 33, 36022
S. Zeno di Cassola (VI) Italy
Tel. +39 0424 570891
info@raasm.com

P/N 8330.400



Fixed hose reel s. 330, for oil and similar, 150 bar, without hose. Inlet G 1/2" (f) - outlet G 3/8" (f) - G 1/2" (f)

AREAS OF USE

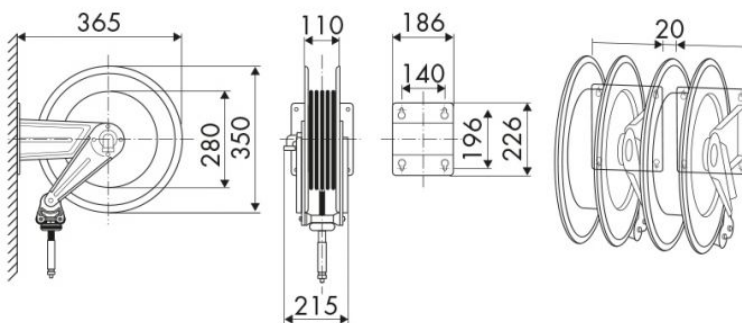
Aeronautics, Agriculture, Automotive, Building and road construction, Manufacturing industry, Lube trucks and transports

FEATURES

| | |
|-------------------|---------------------------|
| Pressure | 150 bar |
| Compatible fluids | oils and similar products |
| Swivel joint | zinc plated steel |
| Seals | polyurethane |
| Characteristic | fixed |
| Material | painted steel |
| Couplings | - |
| Hose | - |
| ∅ and hose length | - |
| Inlet | G 1/2" (f) |
| Outlet | G 3/8" (f) - G 1/2" (f) |
| Reel flow path | zinc plated steel |



OVERALL DIMENSIONS (mm)



HOSE REELS CAPACITY

| | | | |
|--------|---------|--------|--------|
| ∅ 1/4" | ∅ 5/16" | ∅ 3/8" | ∅ 1/2" |
| 12 m | 12 m | 12 m | 8 m |