



ADVANCED FLUID
MANAGEMENT SOLUTIONS

RAASM S.p.a.

Via Marangoni 33, 36022
S. Zeno di Cassola (VI) Italy
Tel. +39 0424 570891
info@raasm.com

P/N 8330.300



Fixed hose reel s. 330, for hot water, 200 bar, without hose. Inlet-outlet G 3/8" (f)

AREAS OF USE

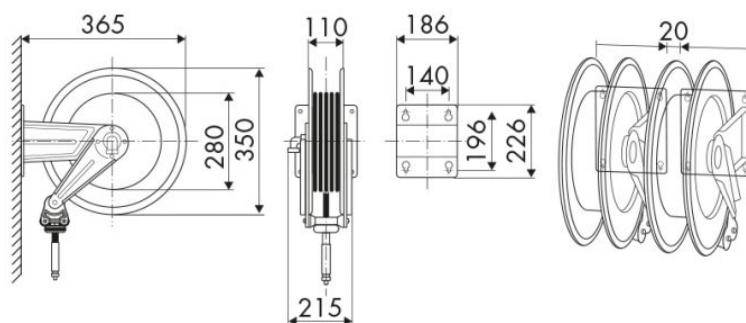
Aeronautics, Agriculture, Automotive, Building and road construction, Manufacturing industry, Lube trucks and transports

FEATURES

| | |
|-------------------|--|
| Pressure | 200 bar |
| Compatible fluids | water max 130 °C |
| Swivel joint | AISI 304 stainless steel |
| Seals | Viton® |
| Characteristic | fixed |
| Material | painted steel |
| Couplings | - |
| Hose | - |
| Ø and hose length | - |
| Inlet | G 3/8" (f) |
| Outlet | G 3/8" (f) |
| Reel flow path | AISI 304 stainless steel - zinc plated steel |



OVERALL DIMENSIONS (mm)



HOSE REELS CAPACITY

| Ø 1/4" | Ø 5/16" | Ø 3/8" | Ø 1/2" |
|--------|---------|--------|--------|
| 12 m | 12 m | 12 m | 8 m |