



ADVANCED FLUID  
MANAGEMENT SOLUTIONS

**RAASM S.p.a.**

Via Marangoni 33, 36022  
S. Zeno di Cassola (VI) Italy  
Tel. +39 0424 570891  
info@raasm.com

## P/N 8424.350



Swivelling hose reel in AISI 304 stainless steel s. 430, for hot water, 400 bar, without hose. Inlet G 3/8 (f), outlet G 1/2 (f)

### AREAS OF USE

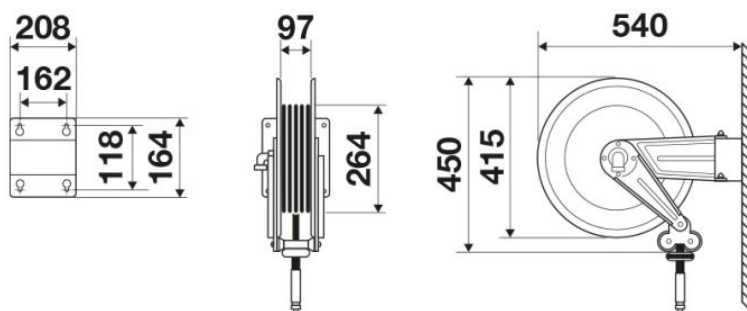
Agriculture, Cleaning, Building and road construction, Chemical industry, Manufacturing industry, Mining industry, Shipping and offshore, Railway transport

### FEATURES

Pressure	400 bar
Compatible fluids	water max 130 °C
Swivel joint	AISI 304 stainless steel
Seals	Viton® and Teflon®
Characteristic	swivelling
Material	AISI 304 stainless steel
Couplings	-
Hose	-
∅ and hose length	-
Inlet	G 3/8" (f)
Outlet	G 1/2" (f)
Reel flow path	AISI 304 stainless steel



### OVERALL DIMENSIONS (mm)



### HOSE REELS CAPACITY

∅ 5/16"	∅ 3/8"	∅ 1/2"
20 m	20 m	16 m