



ADVANCED FLUID  
MANAGEMENT SOLUTIONS

**RAASM S.p.a.**

Via Marangoni 33, 36022  
S. Zeno di Cassola (VI) Italy  
Tel. +39 0424 570891  
info@raasm.com

## P/N 8392.300



Fixed hose reel in AISI 304 stainless steel s. 390, for hot water, 200 bar, without hose. Inlet-outlet G 3/8" (f)

### AREAS OF USE

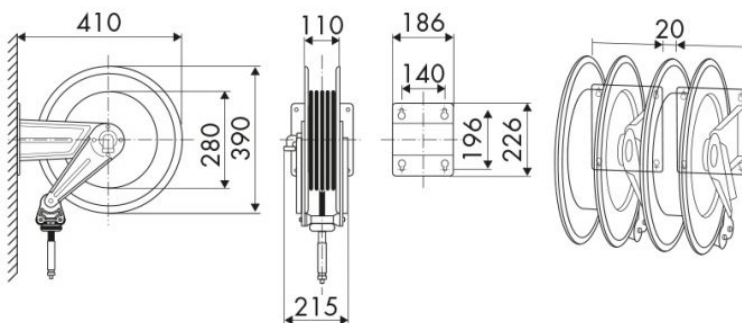
Agriculture, Cleaning, Chemical industry,  
Manufacturing industry, Shipping and offshore

### FEATURES

Pressure	200 bar
Compatible fluids	water max 130 °C
Swivel joint	AISI 304 stainless steel
Seals	Viton®
Characteristic	fixed
Material	AISI 304 stainless steel
Couplings	-
Hose	-
∅ and hose length	-
Inlet	G 3/8" (f)
Outlet	G 3/8" (f)
Reel flow path	AISI 304 stainless steel



### OVERALL DIMENSIONS (mm)



### HOSE REELS CAPACITY

∅ 1/4"	∅ 5/16"	∅ 3/8"	∅ 1/2"
15 m	16 m	17 m	12 m