



ADVANCED FLUID
MANAGEMENT SOLUTIONS

RAASM S.p.a.

Via Marangoni 33, 36022
S. Zeno di Cassola (VI) Italy
Tel. +39 0424 570891
info@raasm.com

P/N 8392.100



Fixed hose reel in AISI 304 stainless steel s. 390, for air-water, 20 bar, without hose. Inlet-outlet G 3/8" (f)

AREAS OF USE

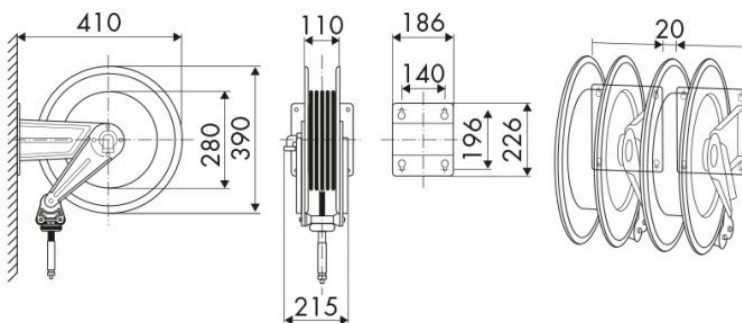
Agriculture, Cleaning, Chemical industry,
Manufacturing industry, Shipping and offshore

FEATURES

Pressure	20 bar
Compatible fluids	air - water
Swivel joint	brass
Seals	Viton®
Characteristic	fixed
Material	AISI 304 stainless steel
Couplings	-
Hose	-
∅ and hose length	-
Inlet	G 3/8" (f)
Outlet	G 3/8" (f)
Reel flow path	brass - AISI 304 stainless steel



OVERALL DIMENSIONS (mm)



HOSE REELS CAPACITY

∅ 1/4"	∅ 5/16"	∅ 3/8"	∅ 1/2"
20 m	20 m	18 m	15 m