



ADVANCED FLUID
MANAGEMENT SOLUTIONS

RAASM S.p.a.

Via Marangoni 33, 36022
S. Zeno di Cassola (VI) Italy
Tel. +39 0424 570891
info@raasm.com

P/N 8332.400



Fixed hose reel in AISI 304 stainless steel s. 330, for oil and similar, 100 bar, without hose. Inlet G 1/2" (f), outlet G 3/8" (f) - G 1/2" (f)

AREAS OF USE

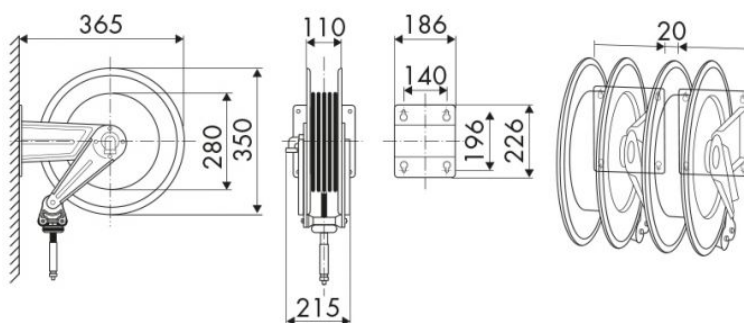
Agriculture, Cleaning, Chemical industry,
Manufacturing industry, Shipping and offshore

FEATURES

Pressure	100 bar
Compatible fluids	water max 130 °C
Swivel joint	AISI 304 stainless steel
Seals	Viton®
Characteristic	fixed
Material	AISI 304 stainless steel
Couplings	-
Hose	-
∅ and hose length	-
Inlet	G 1/2" (f)
Outlet	G 3/8" (f) - G 1/2" (f)
Reel flow path	AISI 304 stainless steel



OVERALL DIMENSIONS (mm)



HOSE REELS CAPACITY

∅ 1/4"	∅ 5/16"	∅ 3/8"	∅ 1/2"
12 m	12 m	12 m	11 m