



## P/N 7871001.1000



Manual hose reel s. 700, for air-water and diesel, 20 bar, without hose. Drum width 690 mm. Inlet-outlet G 1" (f)

### AREAS OF USE

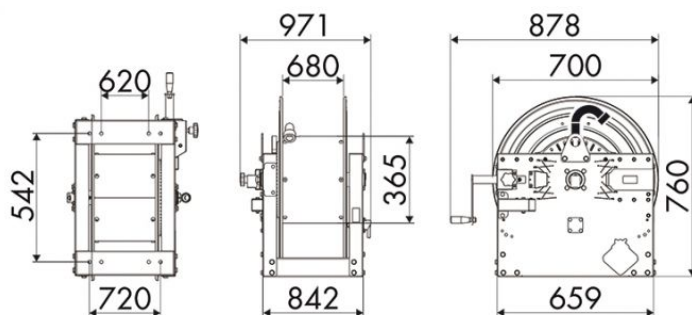
Manufacturing industry, Mining industry, Shipping and offshore, Railway transport

### FEATURES

Pressure	20 bar
Compatible fluids	air - water - diesel fuel
Swivel joint	aluminum
Seals	Viton®
Characteristic	manual
Material	painted steel
Couplings	-
Hose	-
∅ and hose length	-
Inlet	G 1" (f)
Outlet	G 1" (f)
Reel flow path	aluminum - zinc plated steel



### OVERALL DIMENSIONS (mm)



### HOSE REELS CAPACITY

∅ 3/8"	∅ 1/2"	∅ 3/4"	∅ 1"	∅ 1,1/4"	∅ 1,1/2"	∅ 2"
550 m	350 m	244 m	134 m	84 m	75 m	43 m