



ADVANCED FLUID
MANAGEMENT SOLUTIONS

RAASM S.p.a.

Via Marangoni 33, 36022
S. Zeno di Cassola (VI) Italy
Tel. +39 0424 570891
info@raasm.com

P/N 7852001.3000



Manual hose reel in painted steel s. 700, for air-water, 150 bar, without hose. Drum width 550 mm. Inlet-outlet G 1" (f) with reel flow path in AISI 304 stainless steel

AREAS OF USE

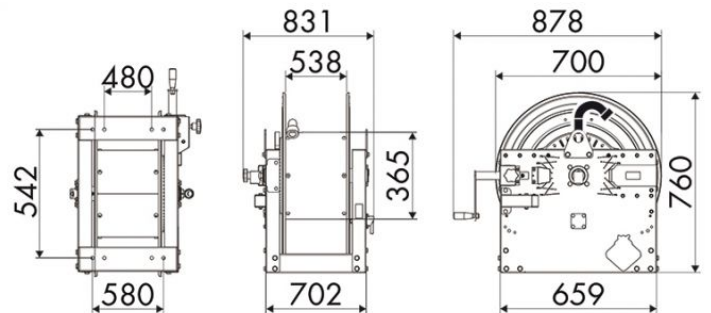
Manufacturing industry, Mining industry, Shipping and offshore, Railway transport

FEATURES

Pressure	150 bar
Compatible fluids	air - water
Swivel joint	AISI 304 stainless steel
Seals	Viton®
Characteristic	manual
Material	painted steel
Couplings	-
Hose	-
∅ and hose length	-
Inlet	G 1" (f)
Outlet	G 1" (f)
Reel flow path	AISI 304 stainless steel



OVERALL DIMENSIONS (mm)



HOSE REELS CAPACITY

∅ 3/8"	∅ 1/2"	∅ 3/4"	∅ 1"	∅ 1,1/4"	∅ 1,1/2"	∅ 2"
550 m	350 m	244 m	134 m	84 m	75 m	43 m