



P/N 75600.350

Manual hose reel s. 560, for hot water, 400 bar, without hose. Inlet G 3/8" (f), outlet G 1/2" (f)

AREAS OF USE

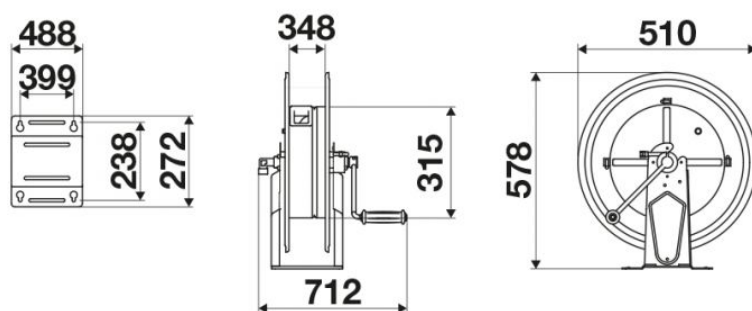
Agriculture, Building and road construction, Manufacturing industry, Mining industry, Lube trucks and transports, Shipping and offshore

FEATURES

Pressure	400 bar
Compatible fluids	water max 130 °C
Swivel joint	AISI 304 stainless steel
Seals	Viton® and Teflon®
Characteristic	fixed
Material	painted steel
Couplings	-
Hose	-
∅ and hose length	-
Inlet	G 3/8" (f)
Outlet	G 1/2" (f)
Reel flow path	AISI 304 stainless steel - zinc plated steel



OVERALL DIMENSIONS (mm)



HOSE REELS CAPACITY

∅ 1/4"	∅ 5/16"	∅ 3/8"	∅ 1/2"	∅ 5/8"	∅ 3/4"	∅ 1"
320 m	240 m	140 m	100 m	90 m	60 m	30 m