



## P/N 75600.200

Manual hose reel s. 560, for hot water, 100 bar, without hose. Inlet-outlet G 1" (f)

### AREAS OF USE

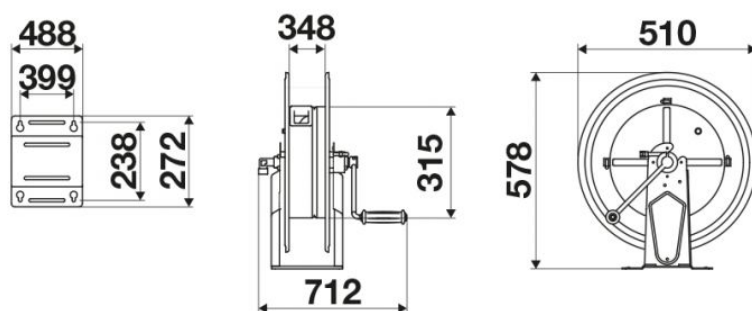
Agriculture, Building and road construction, Manufacturing industry, Mining industry, Lube trucks and transports, Shipping and offshore

### FEATURES

Pressure	100 bar
Compatible fluids	water max 130 °C
Swivel joint	AISI 304 stainless steel
Seals	Viton®
Characteristic	fixed
Material	painted steel
Couplings	-
Hose	-
∅ and hose length	-
Inlet	G 1" (f)
Outlet	G 1" (f)
Reel flow path	AISI 304 stainless steel - zinc plated steel



### OVERALL DIMENSIONS (mm)



### HOSE REELS CAPACITY

∅ 1/4"	∅ 5/16"	∅ 3/8"	∅ 1/2"	∅ 5/8"	∅ 3/4"	∅ 1"
320 m	240 m	140 m	100 m	90 m	60 m	30 m