



## P/N 75400.500

Manual hose reel s. 540, for grease, 600 bar, without hose. Inlet G 3/8" (f), outlet G 1/2" (f)

### AREAS OF USE

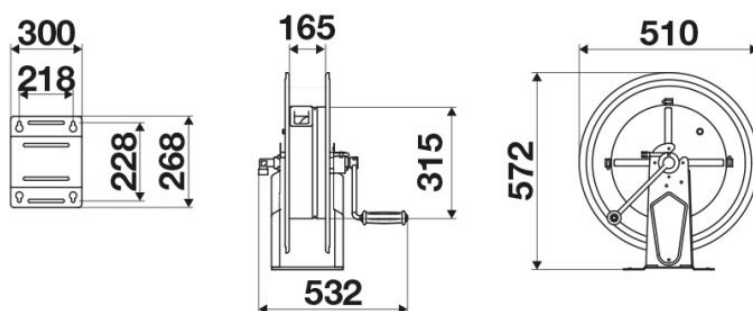
Agriculture, Building and road construction, Manufacturing industry, Mining industry, Lube trucks and transports, Shipping and offshore

### FEATURES

Pressure	600 bar
Compatible fluids	grease
Swivel joint	zinc plated steel
Seals	polyurethane
Characteristic	fixed
Material	painted steel
Couplings	-
Hose	-
∅ and hose length	-
Inlet	G 3/8" (f)
Outlet	G 1/2" (f)
Reel flow path	zinc plated steel



### OVERALL DIMENSIONS (mm)



### HOSE REELS CAPACITY

∅ 1/4"	∅ 5/16"	∅ 3/8"	∅ 1/2"	∅ 5/8"
150 m	110 m	65 m	45 m	35 m