



ADVANCED FLUID  
MANAGEMENT SOLUTIONS

**RAASM S.p.a.**

Via Marangoni 33, 36022  
S. Zeno di Cassola (VI) Italy  
Tel. +39 0424 570891  
info@raasm.com

## P/N 75300.500

Manual hose reel s. 530, for grease, 600 bar, without hose. Inlet G 3/8" (f), outlet G 1/2" (f)

### AREAS OF USE

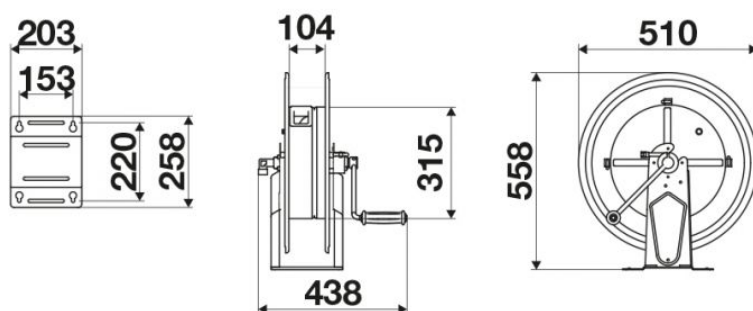
Agriculture, Building and road construction, Manufacturing industry, Mining industry, Lube trucks and transports, Shipping and offshore

### FEATURES

|                   |                   |
|-------------------|-------------------|
| Pressure          | 600 bar           |
| Compatible fluids | grease            |
| Swivel joint      | zinc plated steel |
| Seals             | polyurethane      |
| Characteristic    | fixed             |
| Material          | painted steel     |
| Couplings         | -                 |
| Hose              | -                 |
| ∅ and hose length | -                 |
| Inlet             | G 3/8" (f)        |
| Outlet            | G 1/2" (f)        |
| Reel flow path    | zinc plated steel |



### OVERALL DIMENSIONS (mm)



### HOSE REELS CAPACITY

| ∅ 1/4" | ∅ 5/16" | ∅ 3/8" | ∅ 1/2" | ∅ 5/8" |
|--------|---------|--------|--------|--------|
| 90 m   | 65 m    | 35 m   | 25 m   | 20 m   |