



ADVANCED FLUID
MANAGEMENT SOLUTIONS

RAASM S.p.a.

Via Marangoni 33, 36022
S. Zeno di Cassola (VI) Italy
Tel. +39 0424 570891
info@raasm.com

P/N 75300.300

Manual hose reel s. 530, for hot water, 200 bar, without hose. Inlet G 3/8" (f), outlet G 1/2" (f)

AREAS OF USE

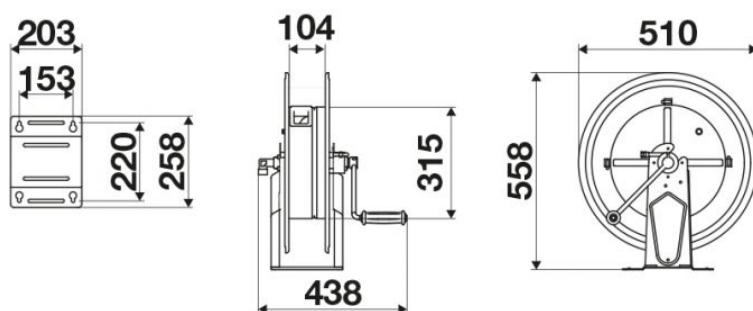
Agriculture, Building and road construction, Manufacturing industry, Mining industry, Lube trucks and transports, Shipping and offshore

FEATURES

Pressure	200 bar
Compatible fluids	water max 130 °C
Swivel joint	AISI 304 stainless steel
Seals	Viton®
Characteristic	fixed
Material	painting steel
Couplings	-
Hose	-
∅ and hose length	-
Inlet	G 3/8" (f)
Outlet	G 1/2" (f)
Reel flow path	AISI 304 stainless steel - zinc plated steel



OVERALL DIMENSIONS (mm)



HOSE REELS CAPACITY

∅ 1/4"	∅ 5/16"	∅ 3/8"	∅ 1/2"	∅ 5/8"
90 m	65 m	35 m	25 m	20 m