



ADVANCED FLUID
MANAGEMENT SOLUTIONS

RAASM S.p.a.

Via Marangoni 33, 36022
S. Zeno di Cassola (VI) Italy
Tel. +39 0424 570891
info@raasm.com

P/N 75300.200

Manual hose reel s. 530, for hot water, 100 bar, without hose. Inlet G 1/2" (f), outlet G 1/2" (f)

AREAS OF USE

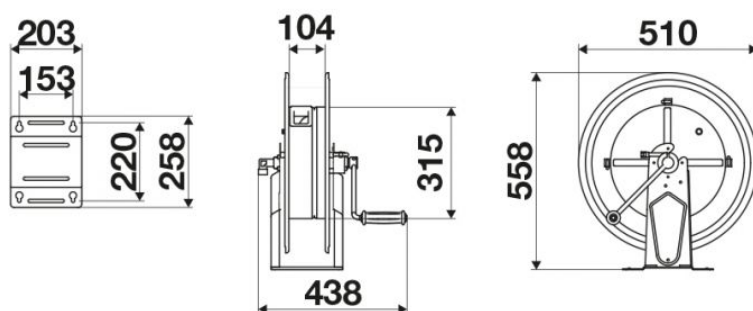
Agriculture, Building and road construction, Manufacturing industry, Mining industry, Lube trucks and transports, Shipping and offshore

FEATURES

| | |
|-------------------|--|
| Pressure | 100 bar |
| Compatible fluids | water max 130 °C |
| Swivel joint | AISI 304 stainless steel |
| Seals | Viton® |
| Characteristic | fixed |
| Material | painted steel |
| Couplings | - |
| Hose | - |
| ∅ and hose length | - |
| Inlet | G 1/2" (f) |
| Outlet | G 1/2" (f) |
| Reel flow path | AISI 304 stainless steel - zinc plated steel |



OVERALL DIMENSIONS (mm)



HOSE REELS CAPACITY

| ∅ 1/4" | ∅ 5/16" | ∅ 3/8" | ∅ 1/2" | ∅ 5/8" |
|--------|---------|--------|--------|--------|
| 90 m | 65 m | 35 m | 25 m | 20 m |