



## P/N 75300.100

Manual hose reel s. 530, for air-water, 20 bar, without hose. Inlet G 1/2" (f), outlet G 1/2" (f)

### AREAS OF USE

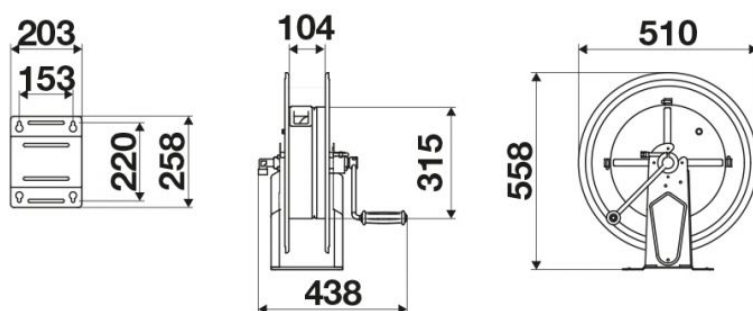
Agriculture, Building and road construction, Manufacturing industry, Mining industry, Lube trucks and transports, Shipping and offshore

### FEATURES

Pressure	20 bar
Compatible fluids	air - water
Swivel joint	brass
Seals	Viton®
Characteristic	fixed
Material	painted steel
Couplings	-
Hose	-
∅ and hose length	-
Inlet	G 1/2" (f)
Outlet	G 1/2" (f)
Reel flow path	brass - zinc plated steel



### OVERALL DIMENSIONS (mm)



### HOSE REELS CAPACITY

∅ 1/4"	∅ 5/16"	∅ 3/8"	∅ 1/2"	∅ 5/8"	∅ 3/4"	∅ 1"
90 m	65 m	35 m	25 m	20 m	15 m	7 m