



ADVANCED FLUID
MANAGEMENT SOLUTIONS

RAASM S.p.a.

Via Marangoni 33, 36022
S. Zeno di Cassola (VI) Italy
Tel. +39 0424 570891
info@raasm.com

P/N 74300.600

Manual hose reel s. 430, for diesel, 10 bar, without hose. Inlet G 1/2" (f), outlet F 1/2" (f)

AREAS OF USE

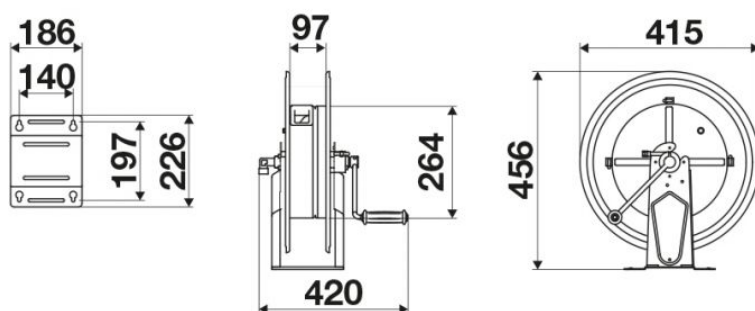
Agriculture, Building and road construction, Manufacturing industry, Mining industry, Lube trucks and transports, Shipping and offshore

FEATURES

Pressure	10 bar
Compatible fluids	diesel fuel
Swivel joint	brass
Seals	Viton®
Characteristic	fixed
Material	painting steel
Couplings	-
Hose	-
∅ and hose length	-
Inlet	G 1/2" (f)
Outlet	G 1/2" (m)
Reel flow path	brass - zinc plated steel



OVERALL DIMENSIONS (mm)



HOSE REELS CAPACITY

∅ 1/4"	∅ 5/16"	∅ 3/8"	∅ 1/2"	∅ 5/8"
50 m	35 m	25 m	17 m	15 m