



ADVANCED FLUID
MANAGEMENT SOLUTIONS

RAASM S.p.a.

Via Marangoni 33, 36022
S. Zeno di Cassola (VI) Italy
Tel. +39 0424 570891
info@raasm.com

P/N 74300.450

Manual hose reel s. 430, for oil and similar, 150 bar, without hose. Inlet G 1" (f), outlet G 3/4" (f)

AREAS OF USE

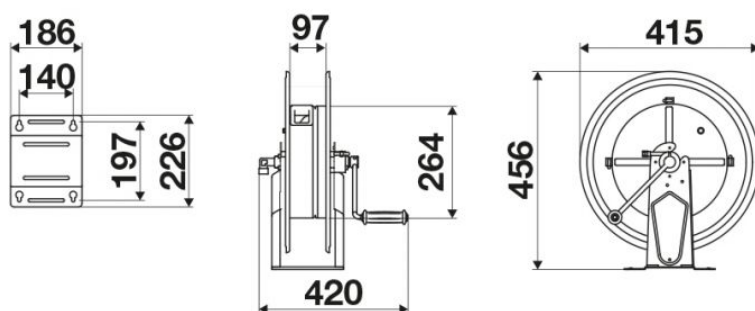
Agriculture, Building and road construction, Manufacturing industry, Mining industry, Lube trucks and transports, Shipping and offshore

FEATURES

Pressure	150 bar
Compatible fluids	oils and similar products
Swivel joint	zinc plated steel
Seals	polyurethane
Characteristic	fixed
Material	painted steel
Couplings	-
Hose	-
∅ and hose length	-
Inlet	G 1" (f)
Outlet	G 3/4" (f)
Reel flow path	zinc plated steel



OVERALL DIMENSIONS (mm)



HOSE REELS CAPACITY

∅ 1/4"	∅ 5/16"	∅ 3/8"	∅ 1/2"	∅ 5/8"	∅ 3/4"
50 m	35 m	25 m	17 m	15 m	8 m