



ADVANCED FLUID  
MANAGEMENT SOLUTIONS

**RAASM S.p.a.**

Via Marangoni 33, 36022  
S. Zeno di Cassola (VI) Italy  
Tel. +39 0424 570891  
info@raasm.com

## P/N 7854001.4000



Manual hose reel in AISI 304 stainless steel s. 700, for water, oil, diesel and industrial fluids, 70 bar, without hose. Drum width 550 mm. Inlet-outlet G 2" (f)

### AREAS OF USE

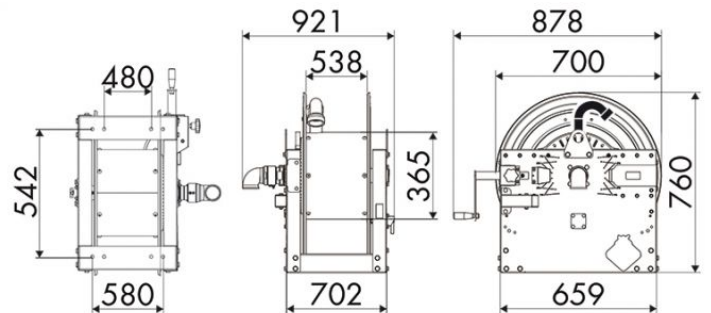
Manufacturing industry, Mining industry, Shipping and offshore, Railway transport

### FEATURES

|                   |   |
|-------------------|---|
| Pressure          | 70 bar  |
| Compatible fluids | water - oils - diesel fuel - industrial fluid |
| Swivel joint      | AISI 304 stainless steel                      |
| Seals             | Viton®  |
| Characteristic    | manual  |
| Material          | AISI 304 stainless steel                      |
| Couplings         | -   |
| Hose              | -   |
| ∅ and hose length | -   |
| Inlet             | G 2" (f)                                      |
| Outlet            | G 2" (f)                                      |
| Reel flow path    | AISI 304 stainless steel                      |



### OVERALL DIMENSIONS (mm)



### HOSE REELS CAPACITY

| ∅ 3/8" | ∅ 1/2" | ∅ 3/4" | ∅ 1"  | ∅ 1,1/4" | ∅ 1,1/2" | ∅ 2" |
|--------|--------|--------|-------|----------|----------|------|
| 420 m  | 280 m  | 180 m  | 100 m | 60 m     | 50 m     | 30 m |