



## P/N 7854001.3000



Manual hose reel in AISI 304 stainless steel s. 700, for water, oil, diesel and industrial fluids, 150 bar, without hose. Drum width 550 mm. Inlet-outlet G 1" (f)

### AREAS OF USE

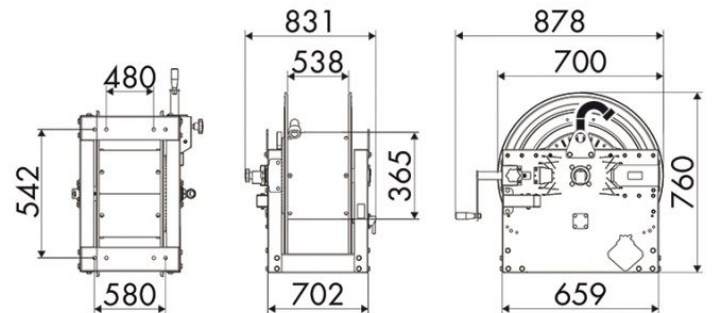
Manufacturing industry, Mining industry, Shipping and offshore, Railway transport

### FEATURES

Pressure	150 bar
Compatible fluids	water - oils - diesel fuel - industrial fluid
Swivel joint	AISI 304 stainless steel
Seals	Viton®
Characteristic	manual
Material	AISI 304 stainless steel
Couplings	-
Hose	-
∅ and hose length	-
Inlet	G 1" (f)
Outlet	G 1" (f)
Reel flow path	AISI 304 stainless steel



### OVERALL DIMENSIONS (mm)



### HOSE REELS CAPACITY

∅ 3/8"	∅ 1/2"	∅ 3/4"	∅ 1"	∅ 1,1/4"	∅ 1,1/2"	∅ 2"
420 m	280 m	180 m	100 m	60 m	50 m	30 m