



P/N 7844001.4000



Manual hose reel in AISI 304 stainless steel s. 700, for water, oil, diesel and industrial fluids, 70 bar, without hose. Drum width 410 mm. Inlet-outlet G 2" (f)

AREAS OF USE

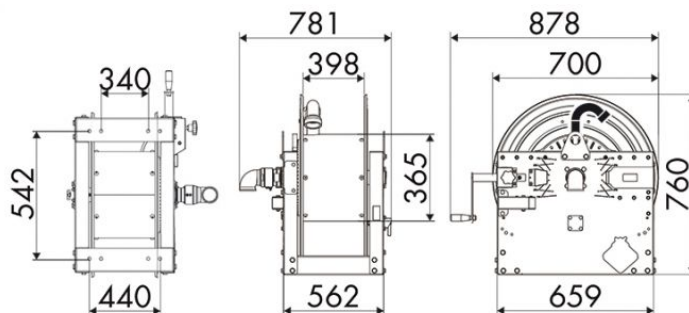
Agriculture, Cleaning, Manufacturing industry, Mining industry, Shipping and offshore, Railway transport

FEATURES

| | |
|-------------------|---|
| Pressure | 70 bar |
| Compatible fluids | water - oils - diesel fuel - industrial fluid |
| Swivel joint | AISI 304 stainless steel |
| Seals | Viton® |
| Characteristic | manual |
| Material | AISI 304 stainless steel |
| Couplings | - |
| Hose | - |
| ∅ and hose length | - |
| Inlet | G 2" (f) |
| Outlet | G 2" (f) |
| Reel flow path | AISI 304 stainless steel |



OVERALL DIMENSIONS (mm)



HOSE REELS CAPACITY

| ∅ 3/8" | ∅ 1/2" | ∅ 3/4" | ∅ 1" | ∅ 1,1/4" | ∅ 1,1/2" | ∅ 2" |
|--------|--------|--------|------|----------|----------|------|
| 290 m | 180 m | 120 m | 60 m | 35 m | 30 m | 20 m |