



ADVANCED FLUID
MANAGEMENT SOLUTIONS

RAASM S.p.a.

Via Marangoni 33, 36022
S. Zeno di Cassola (VI) Italy
Tel. +39 0424 570891
info@raasm.com

P/N 75640.350

Manual hose reel in AISI 304 stainless steel s. 560, for hot water, 400 bar, without hose. Inlet G 3/8" (f), outlet G 1/2" (f)

AREAS OF USE

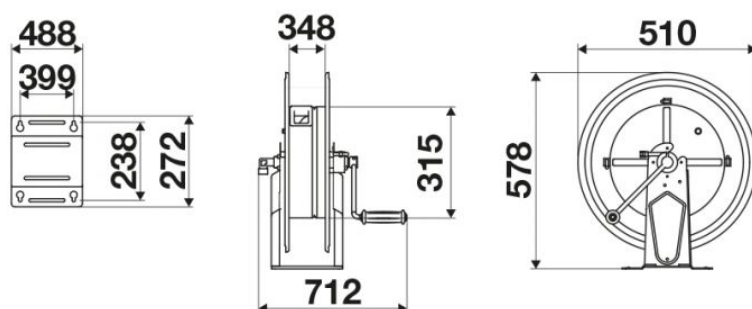
Agriculture, Cleaning, Chemical industry, Manufacturing industry, Mining industry, Shipping and offshore, Railway transport

FEATURES

Pressure	400 bar
Compatible fluids	water max 130 °C
Swivel joint	AISI 304 stainless steel
Seals	Viton® and Teflon®
Characteristic	fixed
Material	AISI 304 stainless steel
Couplings	-
Hose	-
Ø and hose length	-
Inlet	G 3/8" (f)
Outlet	G 1/2" (f)
Reel flow path	AISI 304 stainless steel



OVERALL DIMENSIONS (mm)



HOSE REELS CAPACITY

Ø 1/4"	Ø 5/16"	Ø 3/8"	Ø 1/2"	Ø 5/8"	Ø 3/4"	Ø 1"
320 m	240 m	140 m	100 m	90 m	60 m	30 m