



P/N 75440.205

Manual hose reel in AISI 304 stainless steel s. 540, for hot water, 100 bar, without hose. Inlet-outlet G 1/2" (f)

AREAS OF USE

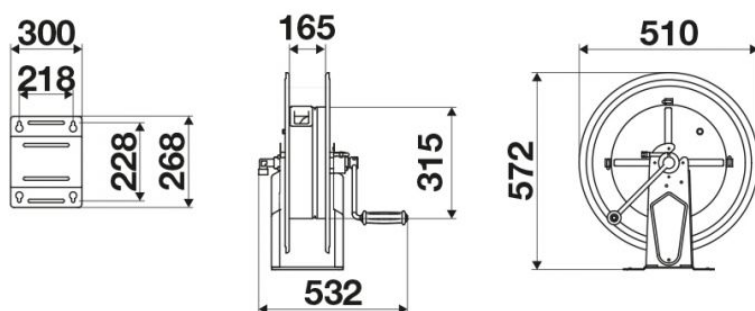
Agriculture, Cleaning, Chemical industry, Manufacturing industry, Mining industry, Shipping and offshore, Railway transport

FEATURES

Pressure	100 bar
Compatible fluids	water max 130 °C, oils and similar products
Swivel joint	AISI 304 stainless steel
Seals	Viton®
Characteristic	fixed
Material	AISI 304 stainless steel
Couplings	-
Hose	-
∅ and hose length	-
Inlet	G 1/2" (f)
Outlet	G 1/2" (f)
Reel flow path	AISI 304 stainless steel



OVERALL DIMENSIONS (mm)



HOSE REELS CAPACITY

∅ 1/4"	∅ 5/16"	∅ 3/8"	∅ 1/2"	∅ 5/8"	∅ 3/4"	∅ 1"
150 m	110 m	65 m	45 m	35 m	25 m	15 m