



ADVANCED FLUID
MANAGEMENT SOLUTIONS

RAASM S.p.a.

Via Marangoni 33, 36022
S. Zeno di Cassola (VI) Italy
Tel. +39 0424 570891
info@raasm.com

P/N 2A3/1677NH5

Diaphragm pump in polypropylene series PPB-12 with multi ported inlet/outlet, membranes in NBR, balls in Hytrel® and seats in AISI 316 stainless steel and polypropylene

AREAS OF USE

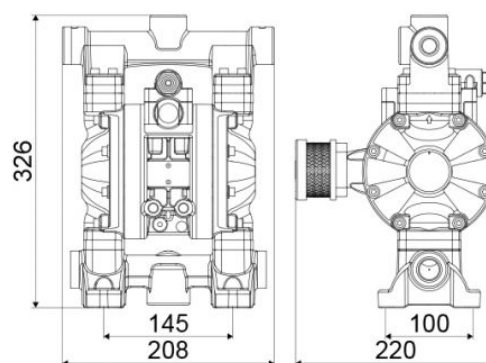
Aeronautics, Agriculture, Automotive, Building and road construction, Chemical industry, Manufacturing industry, Mining industry, Lube trucks and transports, Shipping and offshore, Railway transport

FEATURES

Flow rate	65 l/min
Ratio	1:1
Max pressure	8 bar
Max cycles for minute	350 cpm
Delivery for cycles	0,188 l
Max suction lift	dry column 4,5 m - wet column 7,5 m
Max size pumpable solids	1,5 mm
Max working temperature	65 °C
Noise level	76 dB
Max air consumption	0,89 m3/min
Air working pressure	2 ÷ 6 bar
Air inlet connection	G 3/8" (f)
Air outlet connection (muffler)	G 3/4" (f)
Fluid inlet connection	G 3/4" (f) (G 1" (f) for drum)
Fluid outlet connection	G 1/2" (f)
Balls for inlet	cylindrical ball valve



OVERALL DIMENSIONS (mm)



Membranes	NBR
Balls	Hytrel®
Seats	polypropylene and AISI 316 stainless steel
Packing	No. 1 - 0,02 m3
Gross weight	5,8 kg