



ADVANCED FLUID
MANAGEMENT SOLUTIONS

RAASM S.p.a.

Via Marangoni 33, 36022
S. Zeno di Cassola (VI) Italy
Tel. +39 0424 570891
info@raasm.com

P/N 2A4/2677EAI

Diaphragm pump in polypropylene series PPB-1 with 1" flanges, membranes in EPDM, balls in acetal and seats in AISI 316 stainless steel

AREAS OF USE

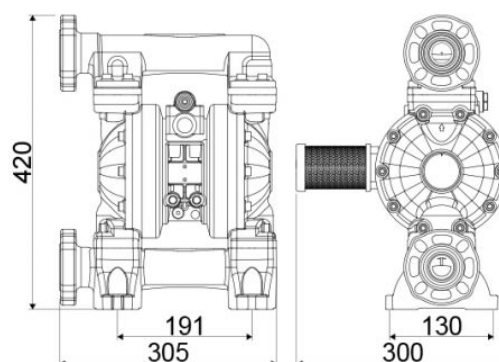
Aeronautics, Agriculture, Automotive, Building and road construction, Chemical industry, Manufacturing industry, Mining industry, Lube trucks and transports, Shipping and offshore, Railway transport

FEATURES

Flow rate	145 l/min
Ratio	1:1
Max pressure	8 bar
Max cycles for minute	270 cpm
Delivery for cycles	0,540 l
Max suction lift	dry column 5 m - wet column 7,5 m
Max size pumpable solids	3 mm
Max working temperature	65 °C
Noise level	78 dB
Max air consumption	1,1 m3/min
Air working pressure	2 ÷ 6 bar
Air inlet connection	G 3/8" (f)
Air outlet connection (muffler)	G 3/4" (f)
Fluid inlet connection	ANSI 150 - DIN PN 10 - JIS 10K 1" (25 mm) proneness to G 1.1/4" (f) thread



OVERALL DIMENSIONS (mm)



Fluid outlet connection	ANSI 150 - DIN PN 10 - JIS 10K 1" (25 mm) proneness to G 1.1/4" (f) thread
Balls for inlet	ball valve
Membranes	EPDM
Balls	acetal
Seats	AISI 316 stainless steel
Packing	No. 1 - 0,03 m3
Gross weight	9,6 kg