



ADVANCED FLUID
MANAGEMENT SOLUTIONS

RAASM S.p.a.

Via Marangoni 33, 36022
S. Zeno di Cassola (VI) Italy
Tel. +39 0424 570891
info@raasm.com

P/N 3C6/50111HHH

Diaphragm pump in aluminum series AABM-2 modular with 2" flanges, membranes, balls and seats in Hytrel®

AREAS OF USE

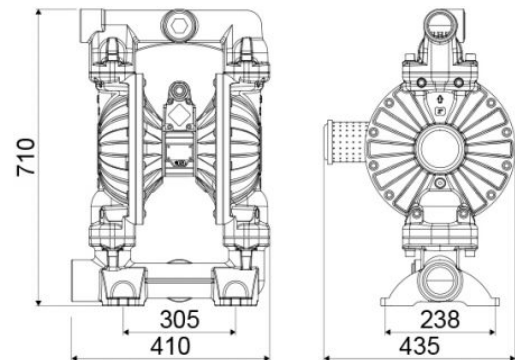
Aeronautics, Agriculture, Automotive, Building and road construction, Chemical industry, Manufacturing industry, Mining industry, Lube trucks and transports, Shipping and offshore, Railway transport

FEATURES

Flow rate	580 l/min
Ratio	1:1
Max pressure	8 bar
Max cycles for minute	147 cpm
Delivery for cycles	3,950 l
Max suction lift	dry column 5 m - wet column 7,5 m
Max size pumpable solids	6,5 mm
Max working temperature	100 °C
Noise level	82 dB
Max air consumption	4,00 m3/min
Air working pressure	2 ÷ 6 bar
Air inlet connection	G 3/4" (f)
Air outlet connection (muffler)	G 1" (f)
Fluid inlet connection	ANSI 150 - DIN PN 10 - JIS 10K 2" (50 mm)
Fluid outlet connection	ANSI 150 - DIN PN 10 - JIS 10K 2" (50 mm)
Balls for inlet	ball valve



OVERALL DIMENSIONS (mm)



Membranes	Hytrel®
Balls	Hytrel®
Seats	Hytrel®
Packing	No. 1 - 0,13 m3
Gross weight	50 kg