



## P/N 3C6/5066VSSS

Diaphragm pump in aluminum with cataphoresis treatment series AABM-2 modular with 2" flanges, membranes, balls and seats in Santoprene™

### AREAS OF USE

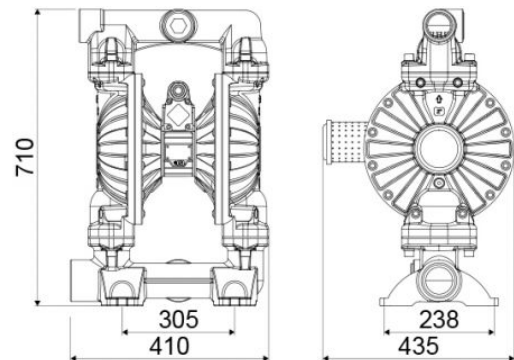
Aeronautics, Agriculture, Automotive, Building and road construction, Chemical industry, Manufacturing industry, Mining industry, Lube trucks and transports, Shipping and offshore, Railway transport

### FEATURES

|                                 |   |
|---------------------------------|---|
| Flow rate                       | 580 l/min                                 |
| Ratio                           | 1:1                                       |
| Max pressure                    | 8 bar                                     |
| Max cycles for minute           | 147 cpm                                   |
| Delivery for cycles             | 3,950 l                                   |
| Max suction lift                | dry column 5 m - wet column 7,5 m         |
| Max size pumpable solids        | 6,5 mm                                    |
| Max working temperature         | 100 °C                                    |
| Noise level                     | 82 dB                                     |
| Max air consumption             | 4,00 m <sup>3</sup> /min                  |
| Air working pressure            | 2 ÷ 6 bar                                 |
| Air inlet connection            | G 3/4" (f)                                |
| Air outlet connection (muffler) | G 1" (f)                                  |
| Fluid inlet connection          | ANSI 150 - DIN PN 10 - JIS 10K 2" (50 mm) |
| Fluid outlet connection         | ANSI 150 - DIN PN 10 - JIS 10K 2" (50 mm) |
| Balls for inlet                 | ball valve                                |



### OVERALL DIMENSIONS (mm)



|              |                             |
|--------------|-----------------------------|
| Membranes    | Santoprene™                 |
| Balls        | Santoprene™                 |
| Seats        | Santoprene™                 |
| Packing      | No. 1 - 0,13 m <sup>3</sup> |
| Gross weight | 50 kg                       |