



ADVANCED FLUID
MANAGEMENT SOLUTIONS

RAASM S.p.a.

Via Marangoni 33, 36022

S. Zeno di Cassola (VI) Italy

Tel. +39 0424 570891

info@raasm.com

P/N 3C6/5066VEAA

Diaphragm pump in aluminum with cataphoresis treatment series AABM-2 modular with 2" flanges, membranes in EPDM, balls and seats in acetal

AREAS OF USE

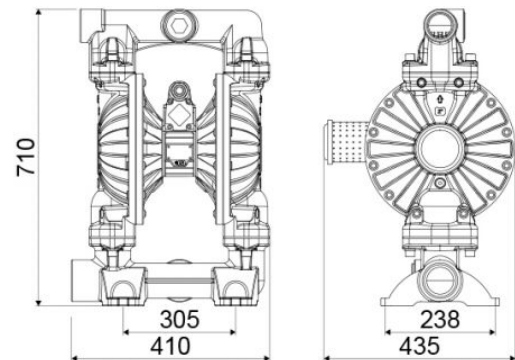
Aeronautics, Agriculture, Automotive, Building and road construction, Chemical industry, Manufacturing industry, Mining industry, Lube trucks and transports, Shipping and offshore, Railway transport

FEATURES

| | |
|------------------------------------|---|
| Flow rate | 580 l/min |
| Ratio | 1:1 |
| Max pressure | 8 bar |
| Max cycles for minute | 147 cpm |
| Delivery for cycles | 3,950 l |
| Max suction lift | dry column 5 m - wet column 7,5 m |
| Max size pumpable solids | 6,5 mm |
| Max working temperature | 100 °C |
| Noise level | 82 dB |
| Max air consumption | 4,00 m ³ /min |
| Air working pressure | 2 ÷ 6 bar |
| Air inlet connection | G 3/4" (f) |
| Air outlet connection (muffler) | G 1" (f) |
| Fluid inlet connection | ANSI 150 - DIN PN 10 - JIS 10K 2" (50 mm) |



OVERALL DIMENSIONS (mm)



| | |
|-------------------------|---|
| Fluid outlet connection | ANSI 150 - DIN PN 10 - JIS 10K 2" (50 mm) |
| Balls for inlet | ball valve |
| Membranes | EPDM |
| Balls | acetal |
| Seats | acetal |
| Packing | No. 1 - 0,13 m ³ |
| Gross weight | 50 kg |